



**EXTERIOR PERSPECTIVES**

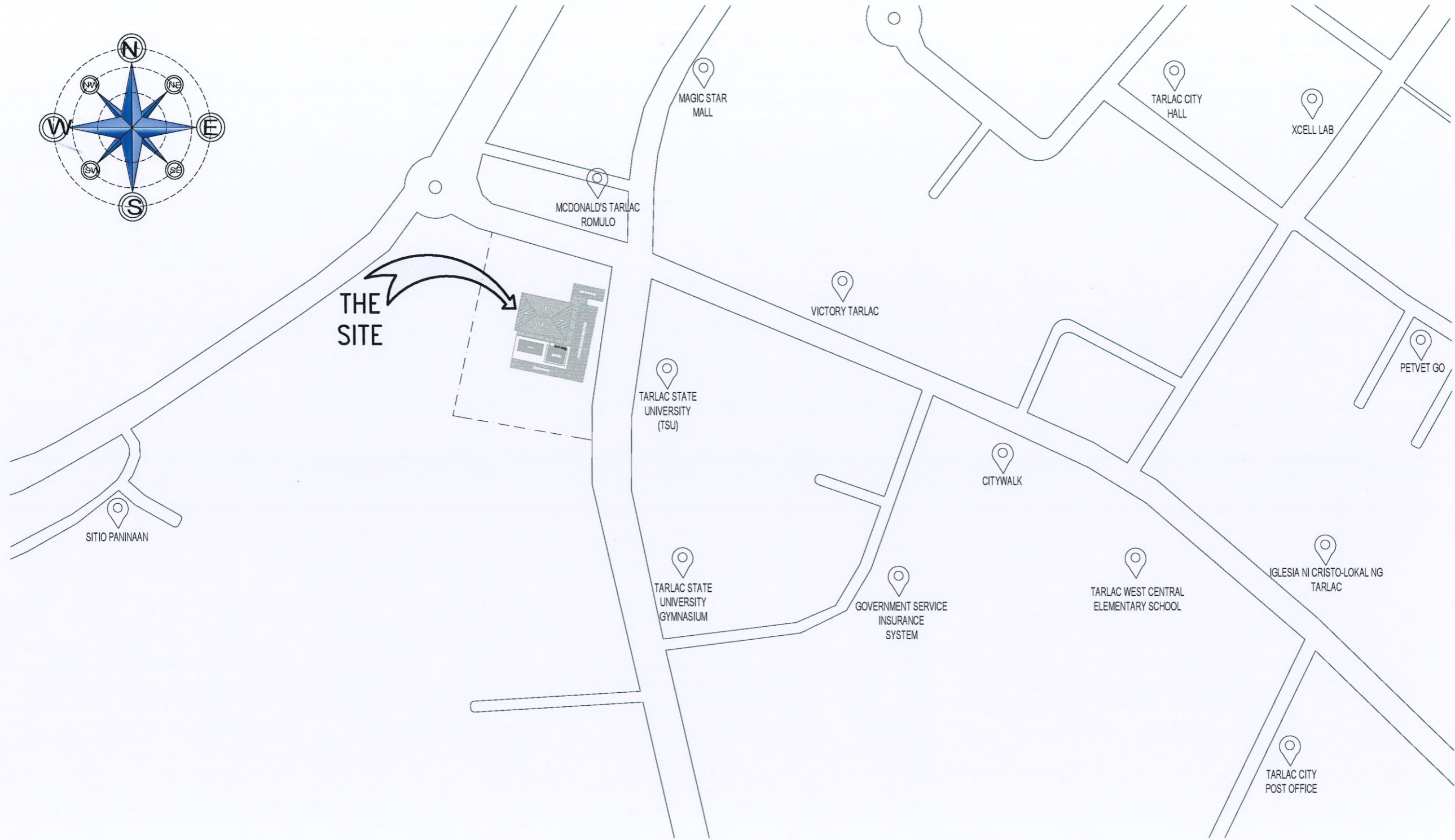


**INTERIOR PERSPECTIVES**



**TARLAC STATE UNIVERSITY**  
 Facilities Development and  
 Management Office  
 Romulo Boulevard, Tarlac City, Philippines 2300

PROJECT TITLE: REFURBISHMENT OF COLLEGE OF ENGINEERING STUDENT CENTER	PREPARED BY:  AR. PAULINE ANGELA M. MARTINEZ DRAFTSMAN, OFDM-PDU	CHECKED BY:  AR. CHERRY L. FABIANES HEAD, OFDM-PDU	CERTIFIED BY:  AR. ARLEN M. GUIEB DIRECTOR, OFDM	REQUESTING OFFICE:  ENGR. MIRIAM S. GALVEZ DEAN, COE	RECOMMENDING APPROVAL:  ATTY. WILMARK J. RAMOS, DBA VP FOR ADMINISTRATION	APPROVED:  DR. ARNOLD E. VELASCO PRESIDENT	SHEET CONTENTS: AS SHOWN	SHEET NO: A-1
PROJECT LOCATION: MAIN CAMPUS, TARLAC STATE UNIVERSITY							DATE: DECEMBER 2024	PAGE NO: 1/32



# V I C I N I T Y M A P

NTS

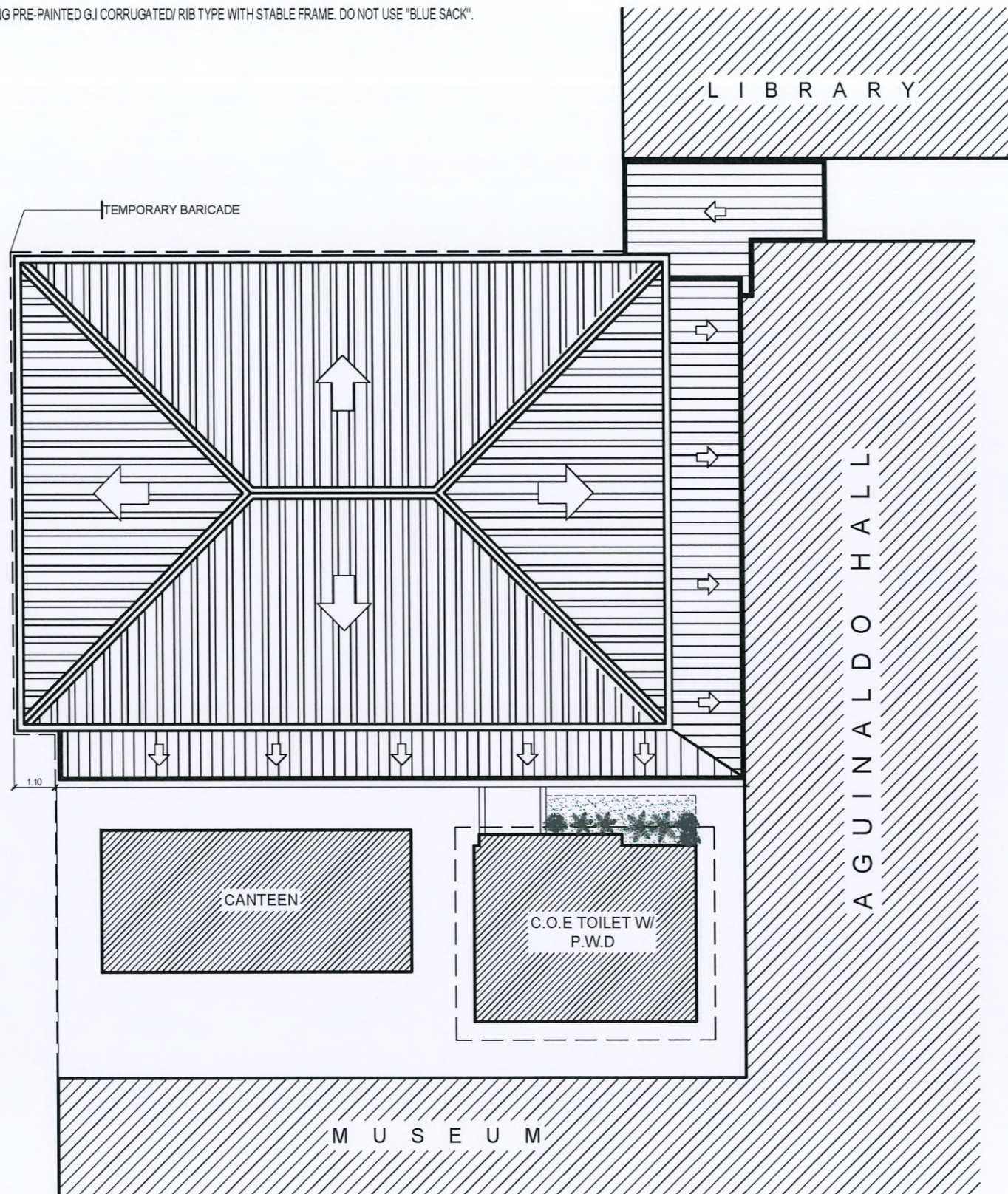


**TARLAC STATE UNIVERSITY**  
Facilities Development and  
Management Office  
Romulo Boulevard, Tarlac City, Philippines 2300

PROJECT TITLE: REFURBISHMENT OF COLLEGE OF ENGINEERING STUDENT CENTER  PROJECT LOCATION: MAIN CAMPUS, TARLAC STATE UNIVERSITY	PREPARED BY:  AR. PAULINE ANGELA M. MARTINEZ MANAGER, OFDM-PDU	CHECKED BY:  AR. CHERRY L. FABIANES HEAD, OFDM-PDU	CERTIFIED BY:  AR. ARLEN M. GUIEB DIRECTOR, OFDM	REQUESTING OFFICE:  ENGR. MIRJAM S. GALVEZ DEAN, COE	RECOMMENDING APPROVAL:  ATTY. WILMARK J. RAMOS, DBA VP FOR ADMINISTRATION	APPROVED:  DR. ARNOLD E. VELASCO PRESIDENT	SHEET CONTENTS: AS SHOWN DATE: DECEMBER 2024	SHEET NO: A-2 PAGE NO: 2/32
----------------------------------------------------------------------------------------------------------------------------------------------	-------------------------------------------------------------------------	-------------------------------------------------------------	-----------------------------------------------------------	---------------------------------------------------------------	------------------------------------------------------------------------------------	-----------------------------------------------------	----------------------------------------------------	--------------------------------------

SITE INSTRUCTION:

- PROVIDE TEMPORARY BARRICADE/COVER IN THE PERIMETER CONSTRUCTION AREA USING PRE-PAINTED G.I CORRUGATED/ RIB TYPE WITH STABLE FRAME. DO NOT USE "BLUE SACK".
- PROVIDE SAFETY SIGNAGES AND 8FT X 8FT BILLBOARD.



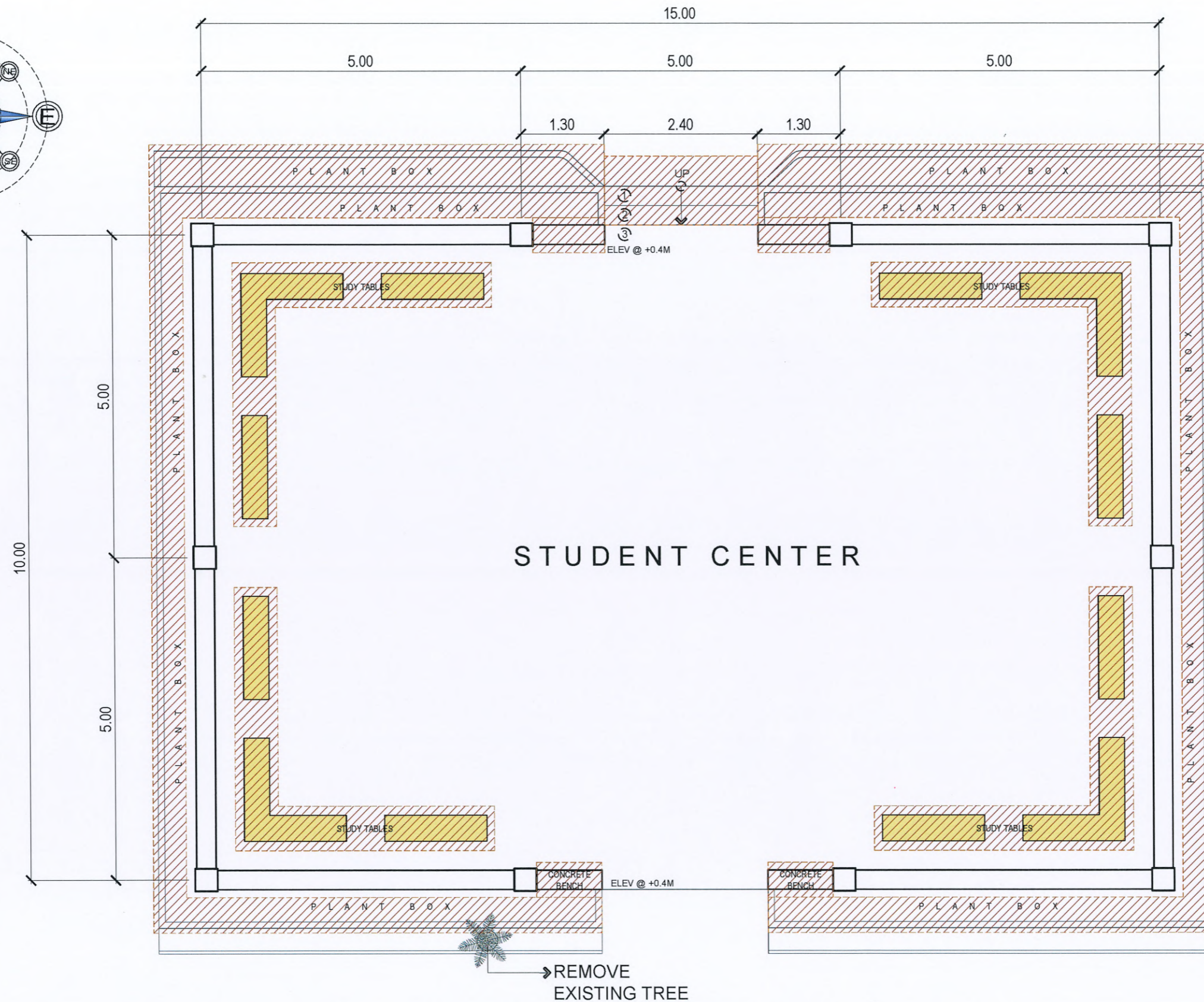
# SITE DEVELOPMENT PLAN

SCALE 1:150 MTS.



**TARLAC STATE UNIVERSITY**  
Facilities Development and Management Office  
Romulo Boulevard, Tarlac City, Philippines 2300

PROJECT TITLE: REFURBISHMENT OF COLLEGE OF ENGINEERING STUDENT CENTER	PREPARED BY:  AR. PAULINE ANGELA M. MARTINEZ DRAFTSMAN, OFDM-PDU	CHECKED BY:  AR. CHERRY L. FABIANES HEAD, OFDM-PDU	CERTIFIED BY:  AR. ARLEN M. GUIEB DIRECTOR, OFDM	REQUESTING OFFICE:  ENGR. MIRIAM S. GALVEZ DEAN, COE	RECOMMENDING APPROVAL:  ATTY. WILMARK J. RAMOS, DBA VP FOR ADMINISTRATION	APPROVED:  DR. ARNOLD E. VELASCO PRESIDENT	SHEET CONTENTS: AS SHOWN	SHEET NO: A-3
PROJECT LOCATION: MAIN CAMPUS, TARLAC STATE UNIVERSITY							DATE: DECEMBER 2024	PAGE NO: 3/32



STUDENT CENTER

### EXISTING FLOOR PLAN

SCALE 1:70 MTS.

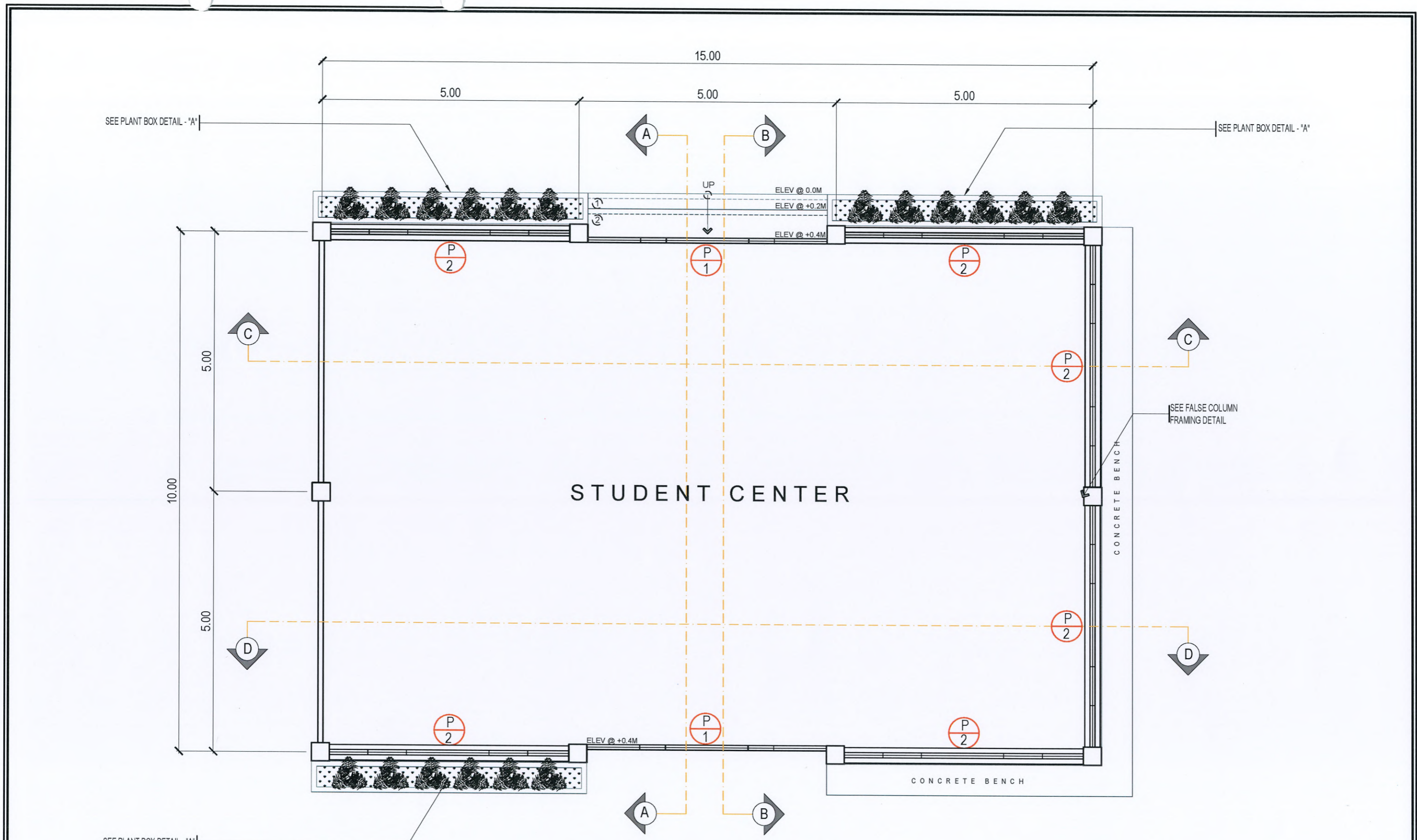
LEGEND :

FOR DEMOLITION (CONCRETE BENCH, STUDY TABLES, PLANT BOXES, STAIRS)




**TARLAC STATE UNIVERSITY**  
 Facilities Development and Management Office  
 Romulo Boulevard, Tarlac City, Philippines 2300

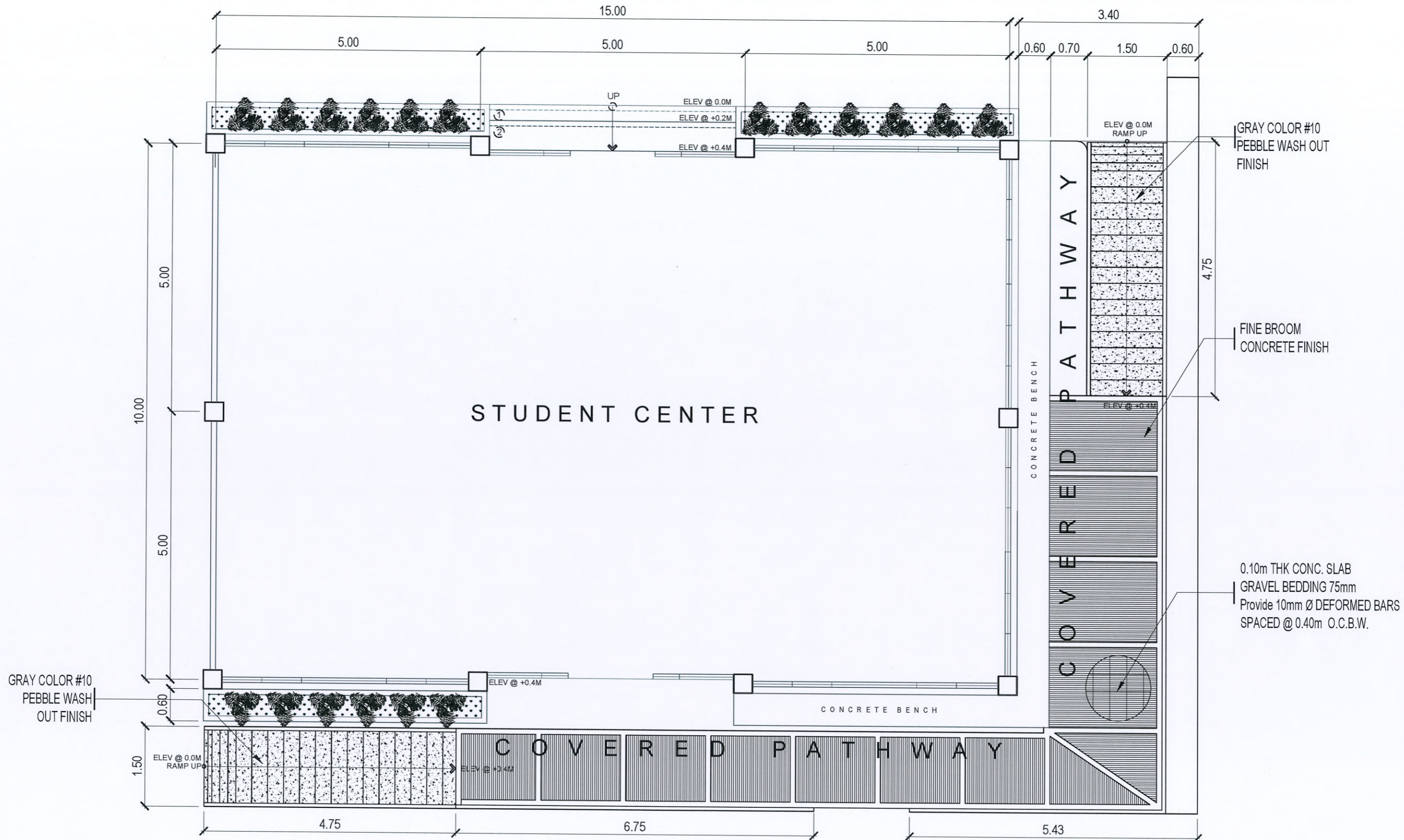
PROJECT TITLE: REFURBISHMENT OF COLLEGE OF ENGINEERING STUDENT CENTER	PREPARED BY:  AR. PAULINE ANGELA M. MARTINEZ TEAM LEADER, OFDM-PDU	CHECKED BY:  AR. CHERRY L. FABIANES HEAD, OFDM-PDU	CERTIFIED BY:  AR. ARLEN M. GUIEB DIRECTOR, OFDM	REQUESTING OFFICE:  ENGR. MIRIAM S. GALVEZ DEAN, COE	RECOMMENDING APPROVAL:  ATTY. WILMAR J. RAMOS, DBA VP FOR ADMINISTRATION	APPROVED:  DR. ARNOLD E. VELASCO PRESIDENT	SHEET CONTENTS: AS SHOWN	SHEET NO: A-4
PROJECT LOCATION: MAIN CAMPUS, TARLAC STATE UNIVERSITY							DATE: DECEMBER 2024	PAGE NO: 4/32



# PROPOSED FLOOR PLAN


SCALE 1:70 MTS.

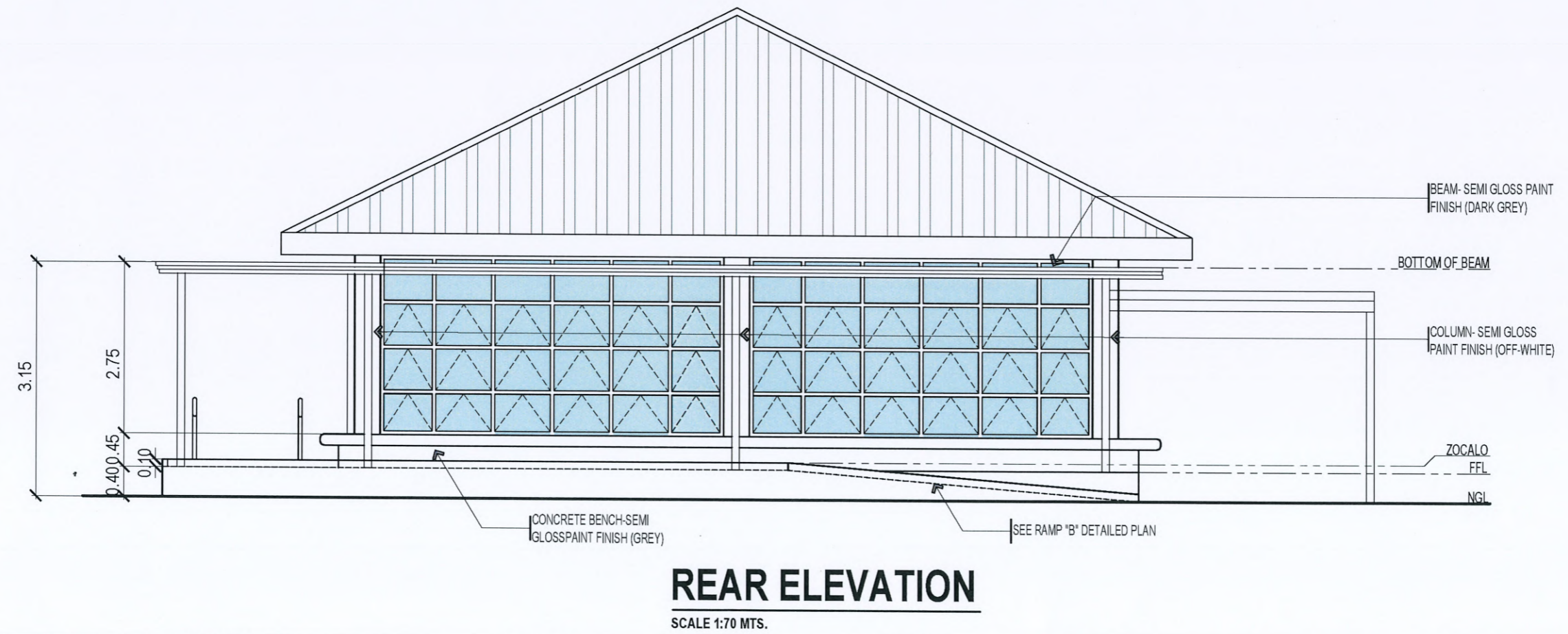
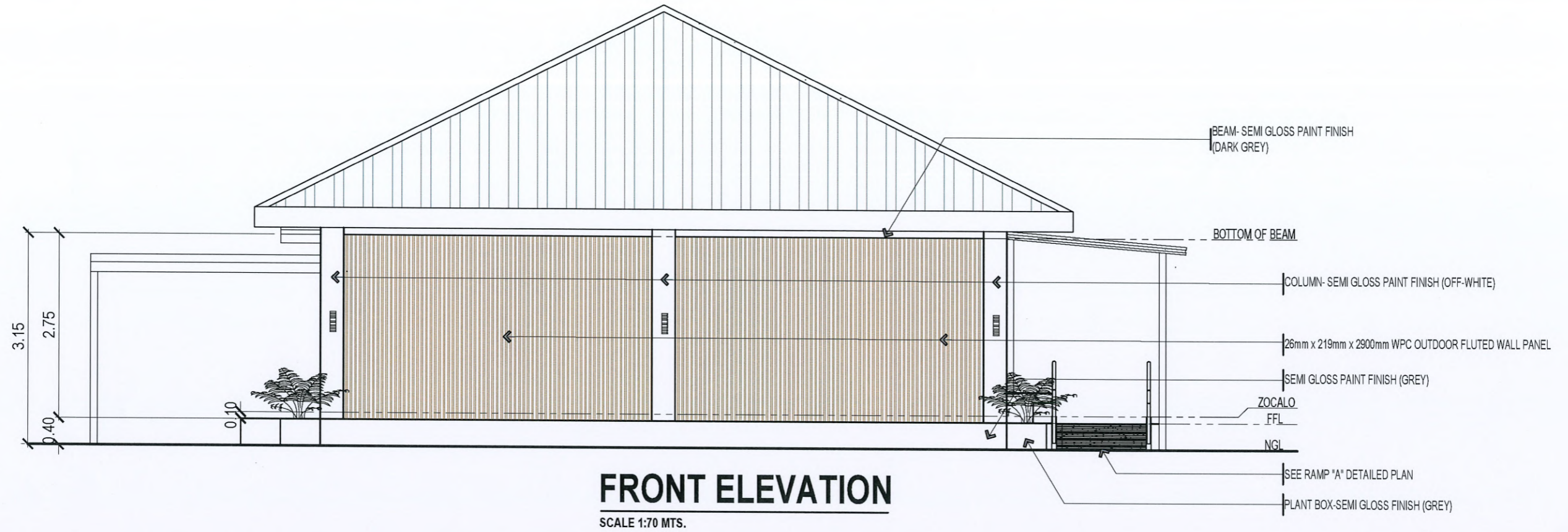
 <p><b>TARLAC STATE UNIVERSITY</b> Facilities Development and Management Office Romulo Boulevard, Tarlac City, Philippines 2300</p>	PROJECT TITLE:	REFURBISHMENT OF COLLEGE OF ENGINEERING STUDENT CENTER	PREPARED BY:	AR. PAULINE ANBELA M. MARTINEZ DRAFTSMAN, OFDM-PDU	CHECKED BY:	AR. CHERRY L. FABIANES HEAD, OFDM-PDU	CERTIFIED BY:	AR. ARLEN M. GUIEB DIRECTOR, OFDM	REQUESTING OFFICE:	ENGR. MIRIAM S. GALVEZ DEAN, COE	RECOMMENDING APPROVAL:	ATTY. WILMARK J. RAMOS, DBA VP FOR ADMINISTRATION	APPROVED:	DR. ARNOLD E. VELASCO PRESIDENT	SHEET CONTENTS:	AS SHOWN	SHEET NO.:	A-5
	PROJECT LOCATION:	MAIN CAMPUS, TARLAC STATE UNIVERSITY															PAGE NO.:	5/32
																	DATE: DECEMBER 2024	



### PROPOSED PATHWAY

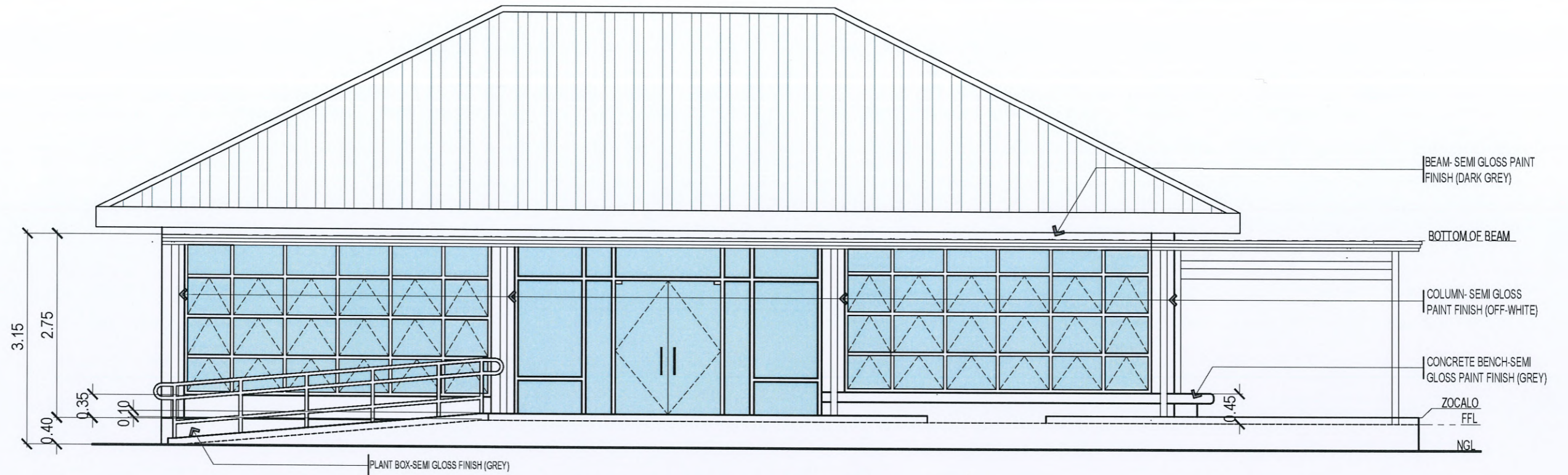
SCALE 1:70 MTS.

 <b>TARLAC STATE UNIVERSITY</b> Facilities Development and Management Office Romulo Boulevard, Tarlac City, Philippines 2300	PROJECT TITLE:	PREPARED BY:	CHECKED BY:	CERTIFIED BY:	REQUESTING OFFICE:	RECOMMENDING APPROVAL:	APPROVED:	SHEET CONTENTS:	SHEET NO.:
	REFURBISHMENT OF COLLEGE OF ENGINEERING STUDENT CENTER	AR. PAULINE ANGELA M. MARTINEZ CHAIRMAN, OFDM-PDU	AR. CHERRY L. FABIANES HEAD, OFDM-PDU	AR. ARLEN M. GUIEB DIRECTOR, OFDM	ENGR. MIRIAM S. GALVEZ DEAN, COE	ATTY. WILMARK J. RAMOS, DBA VP FOR ADMINISTRATION	DR. ARNOLD E. VELASCO PRESIDENT	AS SHOWN	A-6
	PROJECT LOCATION:	MAIN CAMPUS, TARLAC STATE UNIVERSITY						DATE: DECEMBER 2024	PAGE NO: 6/32



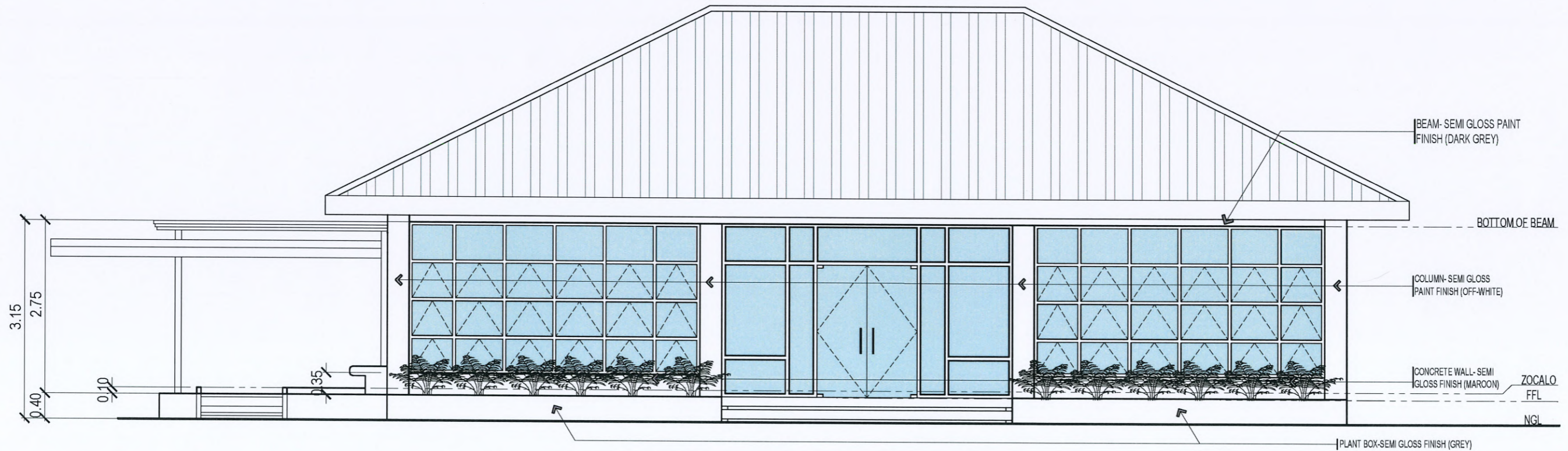
**TARLAC STATE UNIVERSITY**  
 Facilities Development and Management Office  
 Romulo Boulevard, Tarlac City, Philippines 2300

PROJECT TITLE: REFURBISHMENT OF COLLEGE OF ENGINEERING STUDENT CENTER	PREPARED BY:	CHECKED BY:	CERTIFIED BY:	REQUESTING OFFICE:	RECOMMENDING APPROVAL:	APPROVED:	SHEET CONTENTS:	SHEET NO.:	
	PROJECT LOCATION: MAIN CAMPUS, TARLAC STATE UNIVERSITY	AR. PAULINE ANGELA M. MARTINEZ OFFICER IN CHARGE, OFDM-PDU	AR. CHERRY L. FABIANES HEAD, OFDM-PDU	AR. ARLEN M. GUIEB DIRECTOR, OFDM	ENGR. MIRIAM S. GALVEZ DEAN, COE	ATTY. WILMARK J. RAMOS, DBA VP FOR ADMINISTRATION	DR. ARNOLD E. VELASCO PRESIDENT	AS SHOWN	A-7
							DATE: DECEMBER 2024	7/32	



## RIGHT SIDE ELEVATION

SCALE 1:70 MTS.



## LEFT SIDE ELEVATION

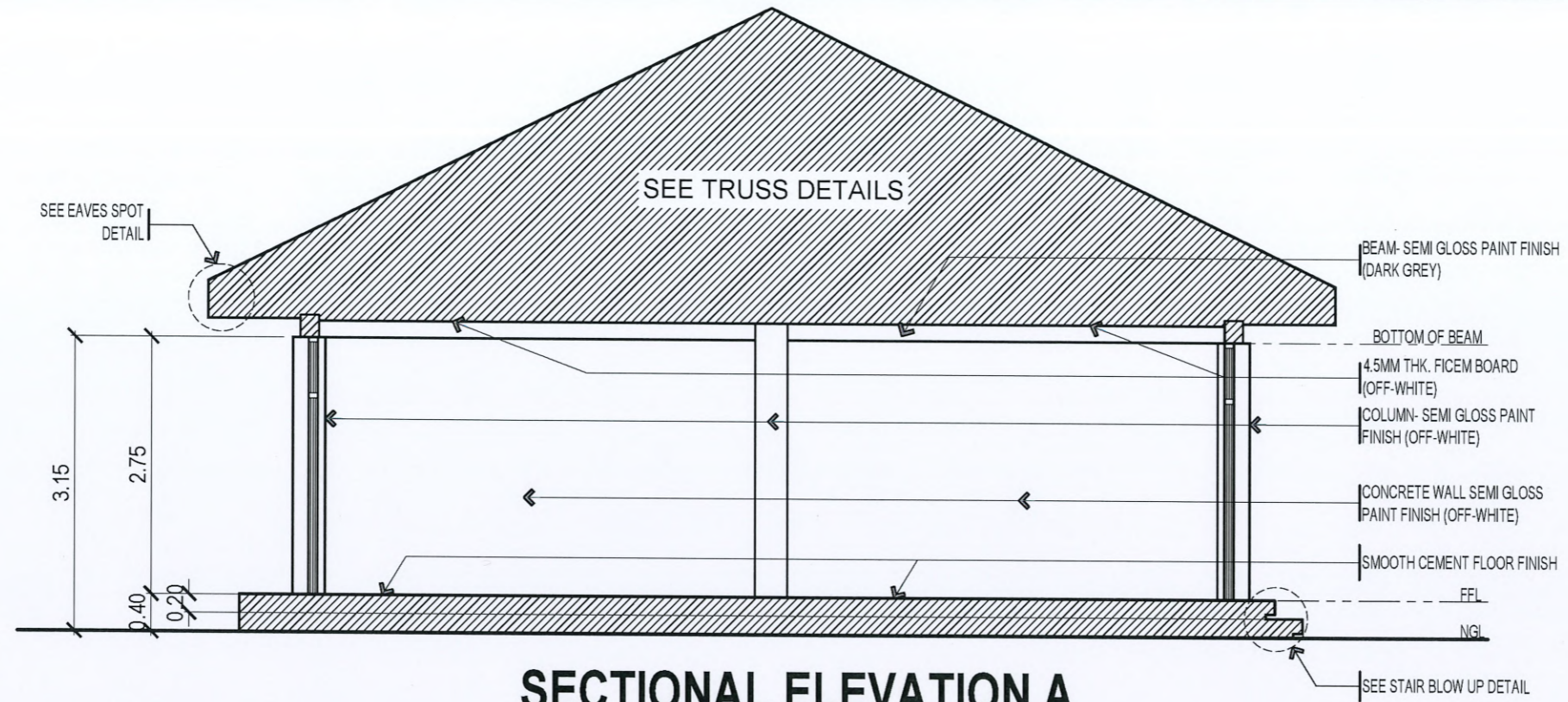
SCALE 1:70 MTS.



**TARLAC STATE UNIVERSITY**  
Facilities Development and  
Management Office  
Romulo Boulevard, Tarlac City, Philippines 2300

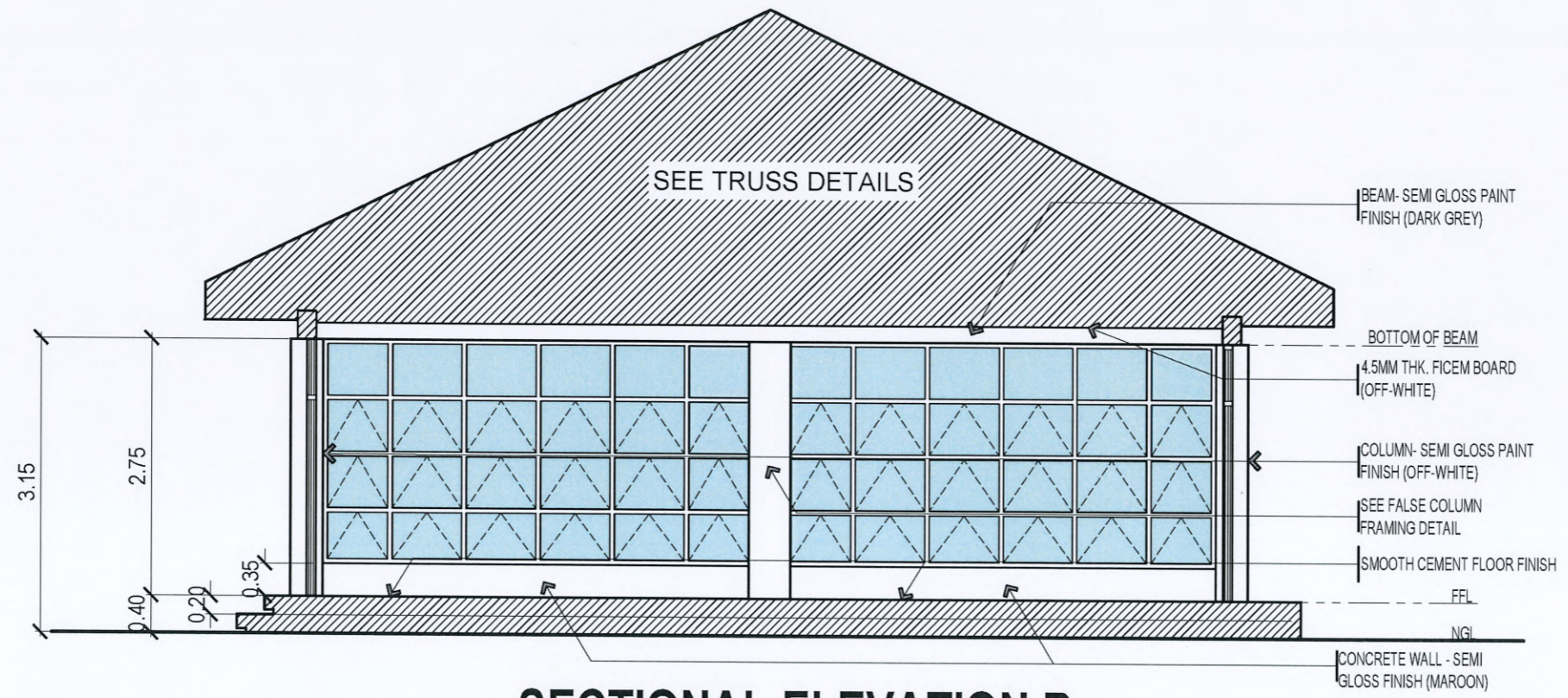
PROJECT TITLE:	PREPARED BY:	CHECKED BY:	CERTIFIED BY:	REQUESTING OFFICE:	RECOMMENDING APPROVAL:	APPROVED:	SHEET CONTENTS:	SHEET NO.:
REFURBISHMENT OF COLLEGE OF ENGINEERING STUDENT CENTER	AR. PAULINE ANGELA M. MARTINEZ DIRECTOR, OFDM-PDU	AR. CHERRY L. FABIANES HEAD, OFDM-PDU	AR. ARLEN M. GUIEB DIRECTOR, OFDM	ENGR. MIRIAM S. GALVEZ DEAN, COE	ATTY. WILMARK J. RAMOS, DBA VP FOR ADMINISTRATION	DR. ARNOLD E. VELASCO PRESIDENT	AS SHOWN	A-8
PROJECT LOCATION:							DATE: DECEMBER 2024	PAGE NO: 8/32
MAIN CAMPUS, TARLAC STATE UNIVERSITY								





### SECTIONAL ELEVATION A

SCALE 1:70 MTS.



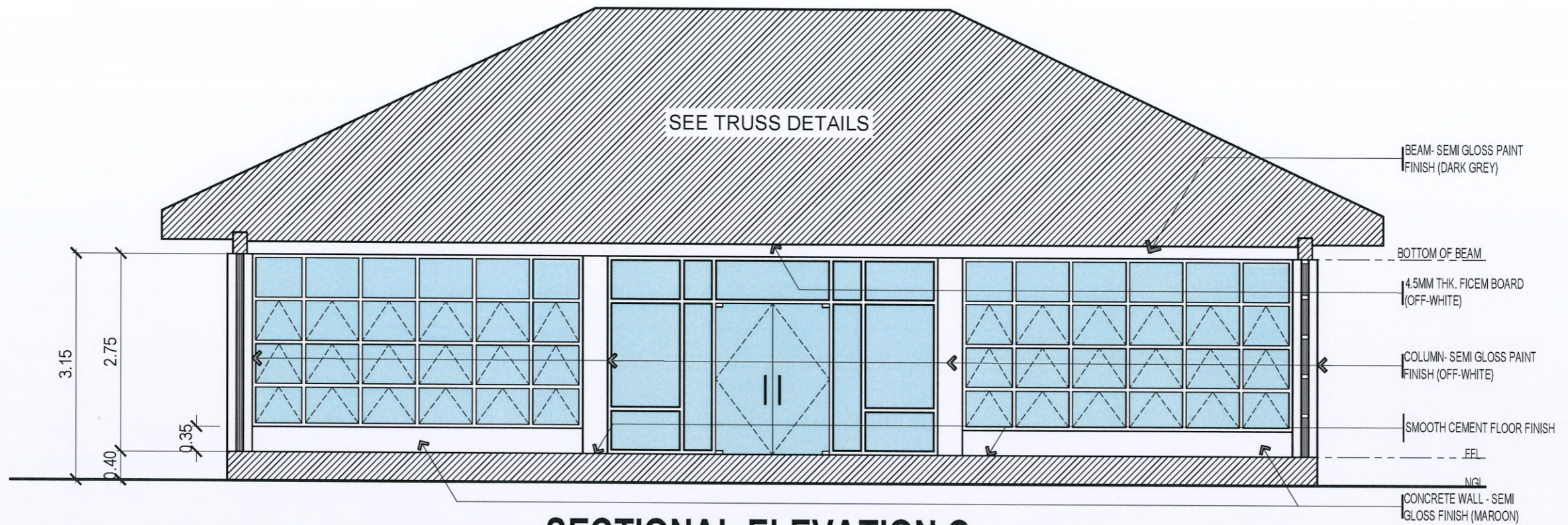
### SECTIONAL ELEVATION B

SCALE 1:70 MTS.



**TARLAC STATE UNIVERSITY**  
Facilities Development and Management Office  
Romulo Boulevard, Tarlac City, Philippines 2300

PROJECT TITLE: REFURBISHMENT OF COLLEGE OF ENGINEERING STUDENT CENTER	PREPARED BY: <i>Angela M. Martinez</i> AR. PAULINE ANGELA M. MARTINEZ DRAWINGSMAN, OFDM-PDU	CHECKED BY: <i>Cherry L. Fabianes</i> AR. CHERRY L. FABIANES HEAD, OFDM-PDU	CERTIFIED BY: <i>ArLEN M. Guieb</i> AR. ARLEN M. GUIEB DIRECTOR, OFDM	REQUESTING OFFICE: <i>Miriam S. Galvez</i> ENGR. MIRIAM S. GALVEZ DEAN, COE	RECOMMENDING APPROVAL: <i>Wilmark J. Ramos</i> ATTY. WILMARK J. RAMOS, DBA VP FOR ADMINISTRATION	APPROVED: <i>Arnold E. Velasco</i> DR. ARNOLD E. VELASCO PRESIDENT	SHEET CONTENTS: AS SHOWN	SHEET NO.: A-9
PROJECT LOCATION: MAIN CAMPUS, TARLAC STATE UNIVERSITY							DATE: DECEMBER 2024	PAGE NO.: 9/32



### SECTIONAL ELEVATION C

SCALE 1:70 MTS.



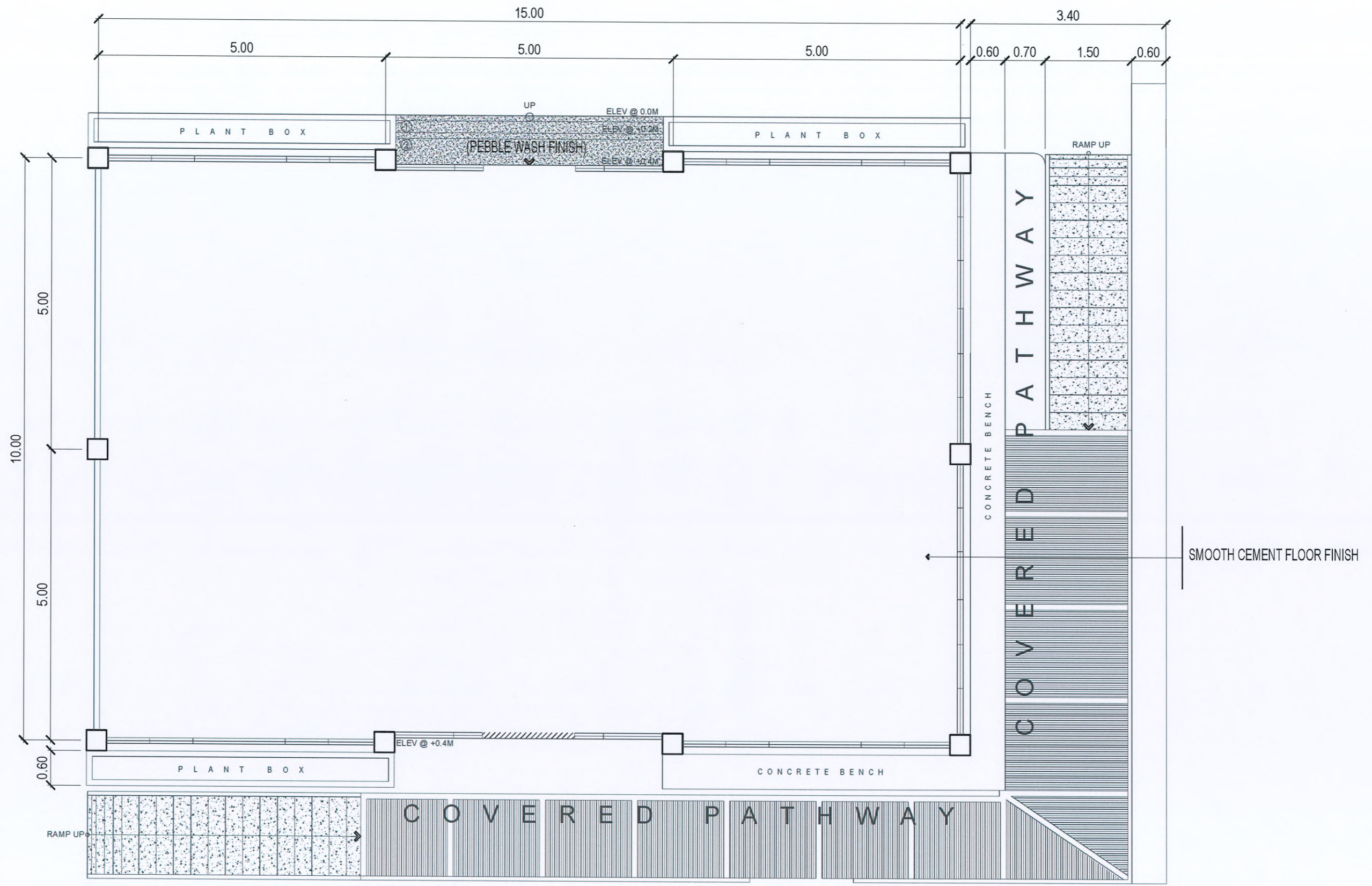
### SECTIONAL ELEVATION D

SCALE 1:70 MTS.



**TARLAC STATE UNIVERSITY**  
Facilities Development and Management Office  
Romulo Boulevard, Tarlac City, Philippines 2300

PROJECT TITLE: REFURBISHMENT OF COLLEGE OF ENGINEERING STUDENT CENTER	PREPARED BY: <i>Angela M. Martinez</i> AR. PAULINE ANGELA M. MARTINEZ SUPERVISOR, OFDM-PDU	CHECKED BY: <i>Cherry L. Fabianes</i> AR. CHERRY L. FABIANES HEAD, OFDM-PDU	CERTIFIED BY: <i>Ar. Arlen M. Guieb</i> AR. ARLEN M. GUIEB DIRECTOR, OFDM	REQUESTING OFFICE: <i>Miriam S. Galvez</i> ENGR. MIRIAM S. GALVEZ DEAN, COE	RECOMMENDING APPROVAL: <i>Atty. Wilmark J. Ramos</i> ATTY. WILMARK J. RAMOS, DBA VP FOR ADMINISTRATION	APPROVED: <i>Dr. Arnold E. Velasco</i> DR. ARNOLD E. VELASCO PRESIDENT	SHEET CONTENTS: AS SHOWN	SHEET NO.: A-10
PROJECT LOCATION: MAIN CAMPUS, TARLAC STATE UNIVERSITY							DATE: DECEMBER 2024	PAGE NO.: 10/32



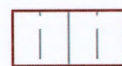
## FLOOR FINISH LAYOUT

SCALE 1:70 MTS.






<p><b>TARLAC STATE UNIVERSITY</b> Facilities Development and Management Office Romulo Boulevard, Tarlac City, Philippines 2300</p>	PROJECT TITLE:	PREPARED BY:	CHECKED BY:	CERTIFIED BY:	REQUESTING OFFICE:	RECOMMENDING APPROVAL:	APPROVED:	SHEET CONTENTS:	SHEET NO.:	
	REFURBISHMENT OF COLLEGE OF ENGINEERING STUDENT CENTER		 AR. PAULINE ANGELA M. MARTINEZ <small>DR. ISMAN, OFDM-PDU</small>	 AR. CHERRY L. FABIANES <small>HEAD, OFDM-PDU</small>	 AR. ARLEN M. GUIEB <small>DIRECTOR, OFDM</small>	 ENGR. MIRIAM S. GALVEZ <small>DEAN, COE</small>	 ATTY. WILMARK J. RAMOS, DBA <small>VP FOR ADMINISTRATION</small>	 DR. ARNOLD E. VELASCO <small>PRESIDENT</small>	AS SHOWN	A-11
	PROJECT LOCATION:								DATE: DECEMBER 2024	PAGE NO: 11/32



LEGEND :

 0.50MM THK. PRE-PAINTED SPANDEL INCLUDING FRAMING AND MOULDINGS (WOOD FINISH)

CEILING FIXTURES:


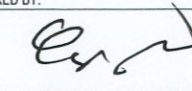
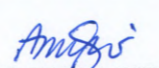
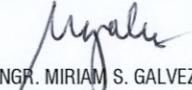
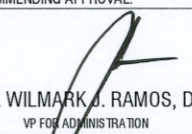

-  42 WATT'S LARGE SQUARE LED PANEL LIGHT [COLOR: DAYLIGHT]
-  36 WATT'S SURFACE MOUNTED LED LINEAR LIGHT [COLOR: DAYLIGHT]
-  12 WATT'S ROUND SURFACE MOUNTED LED PANEL LIGHT [COLOR: WARM WHITE]
-  3 WATT'S RECESSED LED EMERGENCY LIGHT [CEILING MOUNTED]
-  BATTERY-OPERATED SMOKE DETECTOR

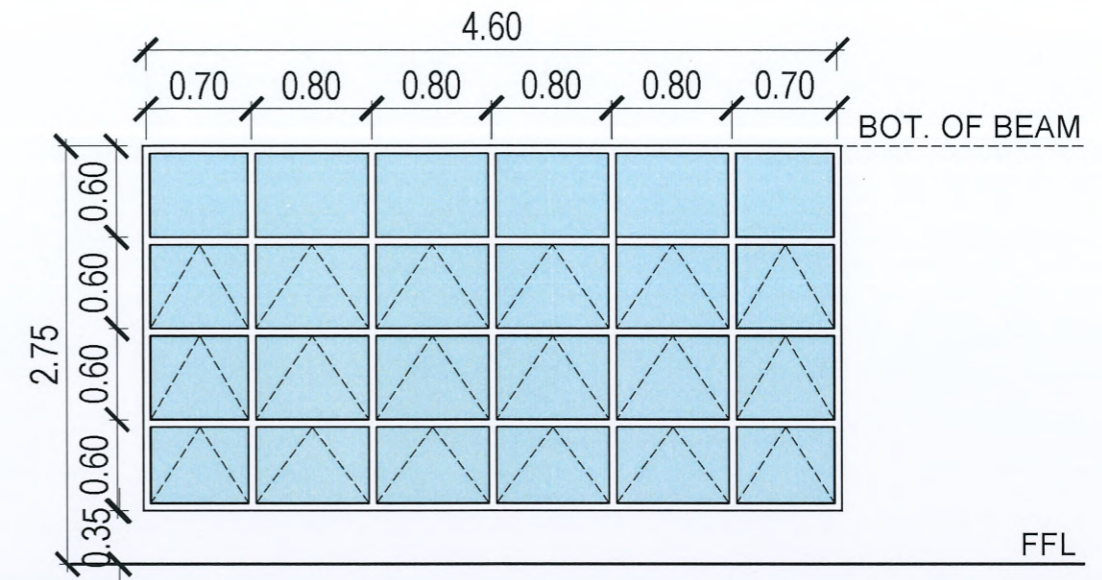
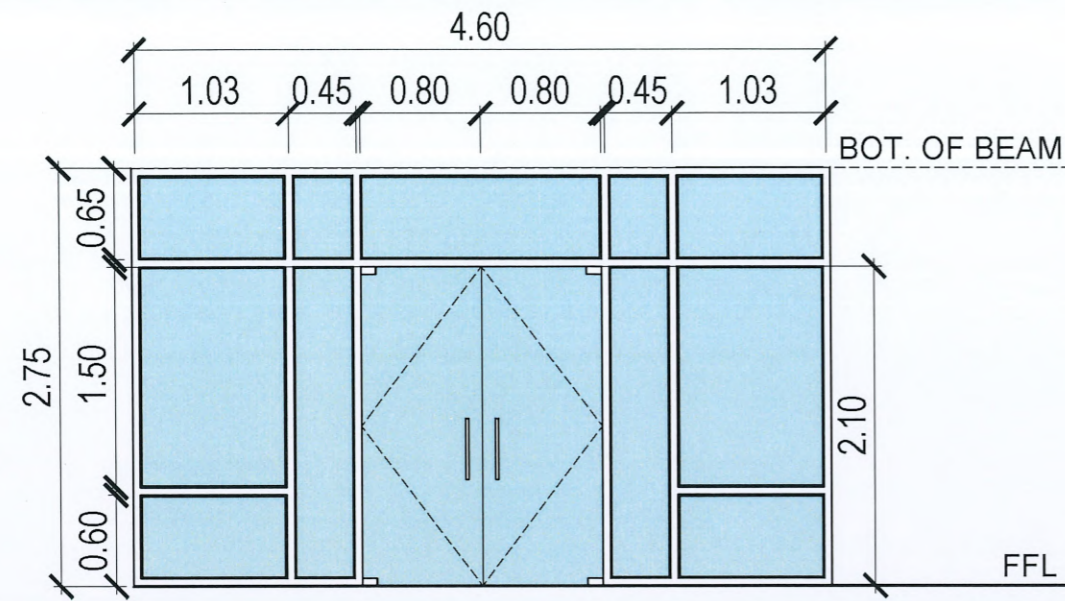
## REFLECTED CEILING PLAN

SCALE 1:70 MTS.



**TARLAC STATE UNIVERSITY**  
Facilities Development and Management Office  
Romulo Boulevard, Tarlac City, Philippines 2300

PROJECT TITLE: REFURBISHMENT OF COLLEGE OF ENGINEERING STUDENT CENTER	PREPARED BY:  AR. PAULINE ANGELA M. MARTINEZ DRAFTSMAN, OFDM-PDU	CHECKED BY:  AR. CHERRY L. FABIANES HEAD, OFDM-PDU	CERTIFIED BY:  AR. ARLEN M. GUIEB DIRECTOR, OFDM	REQUESTING OFFICE:  ENGR. MIRIAM S. GALVEZ DEAN, COE	RECOMMENDING APPROVAL:  ATTY. WILMARK J. RAMOS, DBA VP FOR ADMINISTRATION	APPROVED:  DR. ARNOLD E. VELASCO PRESIDENT	SHEET CONTENTS: AS SHOWN	SHEET NO: A-12
PROJECT LOCATION: MAIN CAMPUS, TARLAC STATE UNIVERSITY							DATE: DECEMBER 2024	PAGE NO: 12/32

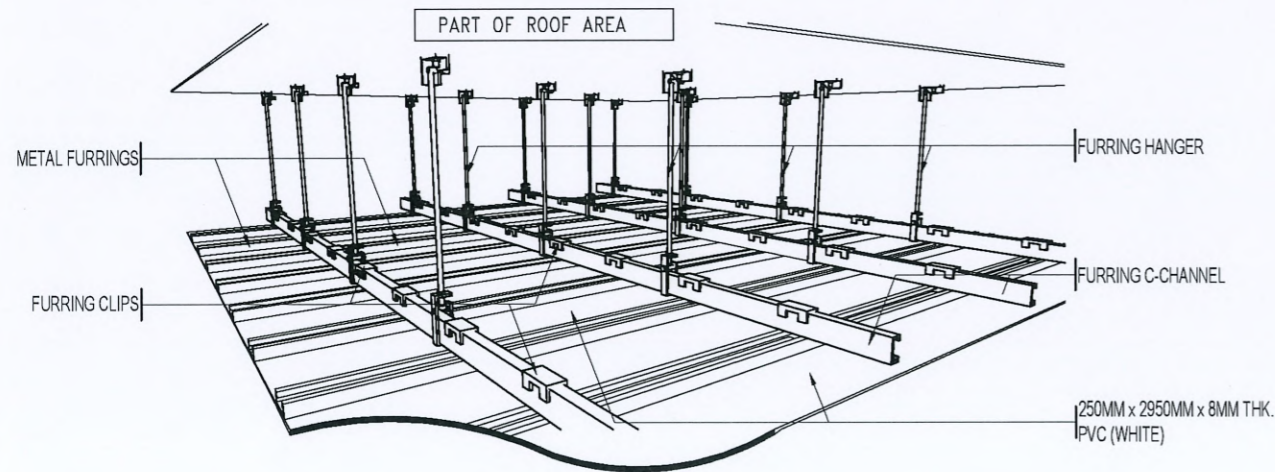


<div style="border: 1px solid black; border-radius: 50%; width: 20px; height: 20px; display: flex; align-items: center; justify-content: center;"> <div style="border-bottom: 1px solid black; width: 10px; margin-bottom: 2px;">P</div> <div style="border-bottom: 1px solid black; width: 10px; margin-bottom: 2px;">1</div> </div>	QUANTITY :	2-SETS
	LOCATION :	STUDENT CENTER
DESCRIPTION : PARTITION: 6MM THK. FIXED CLEAR TEMPERED GLASS WINDOW 1/4" x 4" ANALOK ALUMINUM FRAME DOOR: 12MM THK. DOUBLE PANEL SWING CLEAR TEMPERED GLASS DOOR WITH CLOSER AND FD100 ON ANODIZED ALUMINUM FRAME WITH S304 STAINLESS H-TYPE DOOR HANDLE AND COMPLETE ACCESSORIES		

<div style="border: 1px solid black; border-radius: 50%; width: 20px; height: 20px; display: flex; align-items: center; justify-content: center;"> <div style="border-bottom: 1px solid black; width: 10px; margin-bottom: 2px;">P</div> <div style="border-bottom: 1px solid black; width: 10px; margin-bottom: 2px;">2</div> </div>	QUANTITY :	6-SETS
	LOCATION :	STUDENT CENTER
DESCRIPTION : 6MM THK. FIXED CLEAR TEMPERED GLASS WINDOW WITH 6MM THK. AWNING CLEAR TEMPERED GLASS WINDOW ON 1/4" x 4" ANALOK ALUMINUM FRAME		

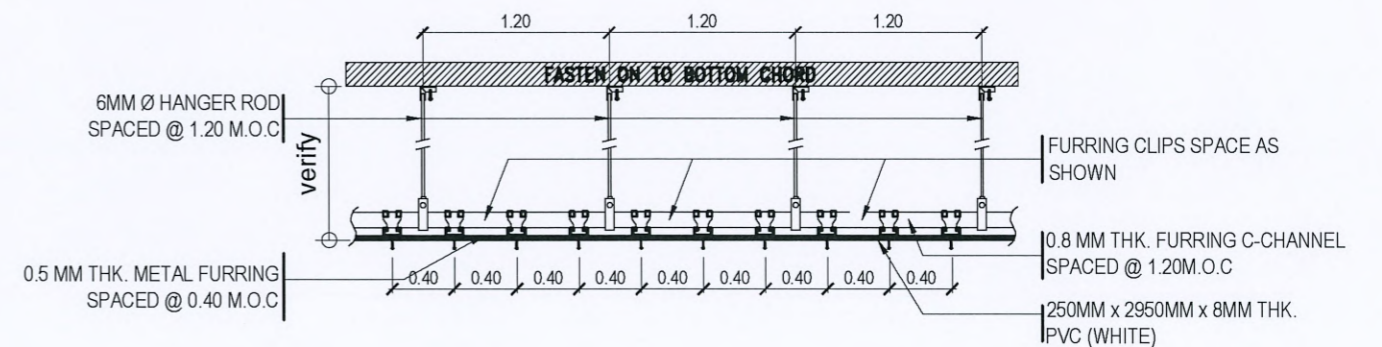
## SCHEDULE OF DOORS AND WINDOWS

SCALE 1:50 MTS.



### ISOMETRIC CEILING DETAIL

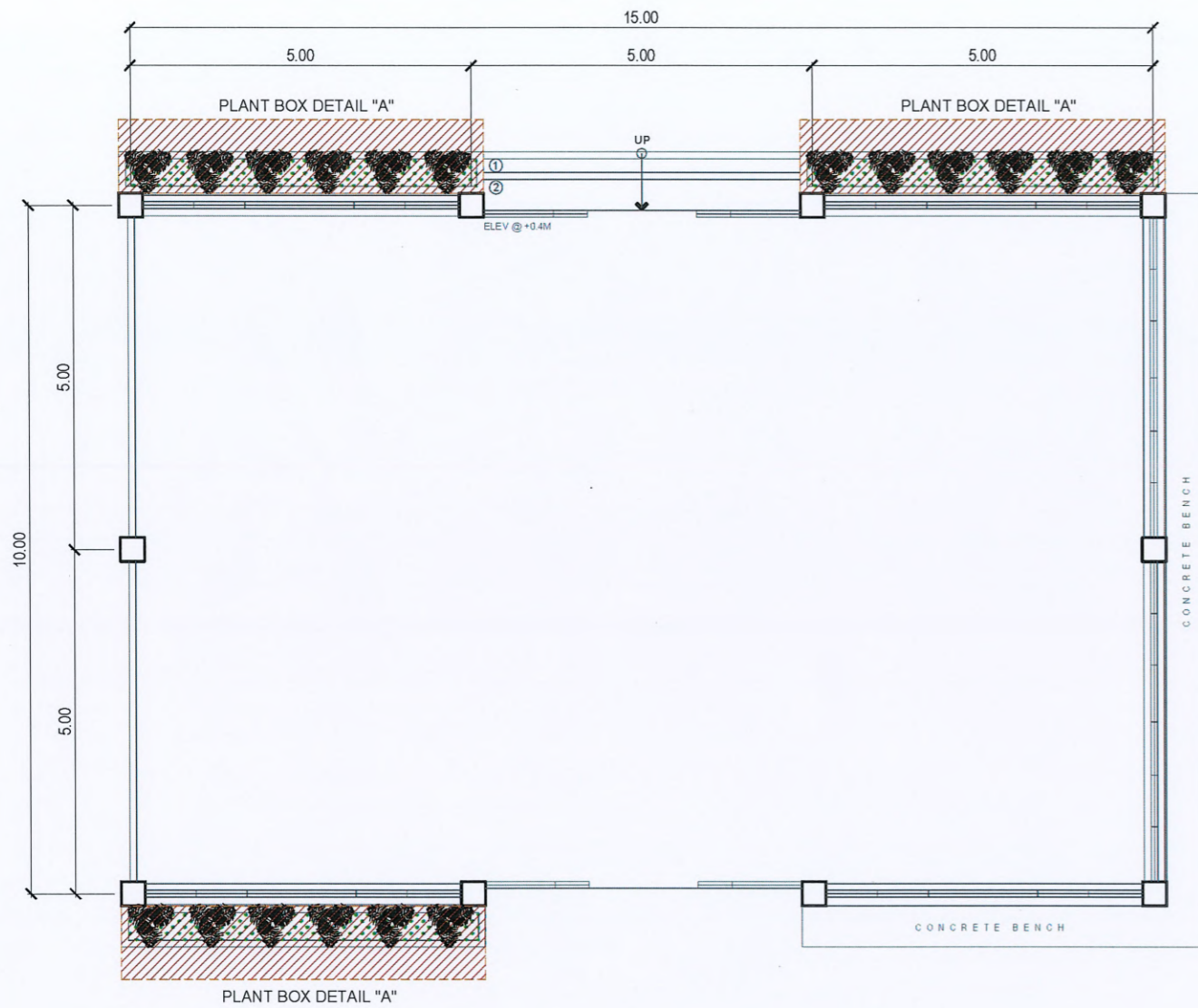
SCALE 1:50 MTS.



### CEILING SECTION DETAIL

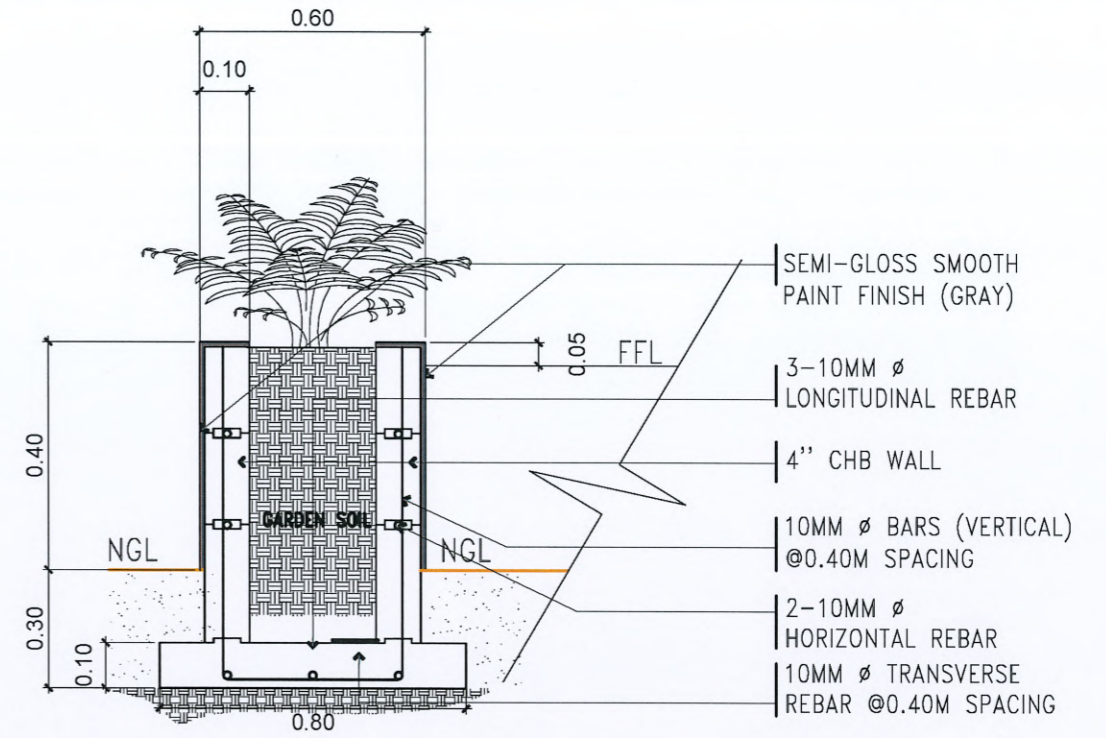
SCALE 1:50 MTS.

<b>TARLAC STATE UNIVERSITY</b> Facilities Development and Management Office <small>Nomulo Boulevard, Tarlac City, Philippines 2300</small>	PROJECT TITLE:	REFURBISHMENT OF COLLEGE OF ENGINEERING STUDENT CENTER	PREPARED BY:	 AR. PAULINE ANGELA M. MARTINEZ <small>DRM/ISMAN, OFDM-PDU</small>	CHECKED BY:	 AR. CHERRY L. FABIANES <small>HEAD, OFDM-PDU</small>	CERTIFIED BY:	 AR. ARLEN M. GUIAB <small>DIRECTOR, OFDM</small>	REQUESTING OFFICE:	 ENGR. MIRIAM S. GALVEZ <small>DEAN, COE</small>	RECOMMENDING APPROVAL:	 ATTY. WILMARK J. RAMOS, DBA <small>VP FOR ADMINISTRATION</small>	APPROVED:	 DR. ARNOLD E. VELASCO <small>PRESIDENT</small>	SHEET CONTENTS:	AS SHOWN	SHEET NO:	A-13
	PROJECT LOCATION:	MAIN CAMPUS, TARLAC STATE UNIVERSITY																
															DATE: DECEMBER 2024	13/32		



### PLANTBOX KEY PLAN

SCALE 1:100 MTS.



### TYPICAL PLANT BOX CHB FOOTING DETAIL

SCALE 1:20 MTS.



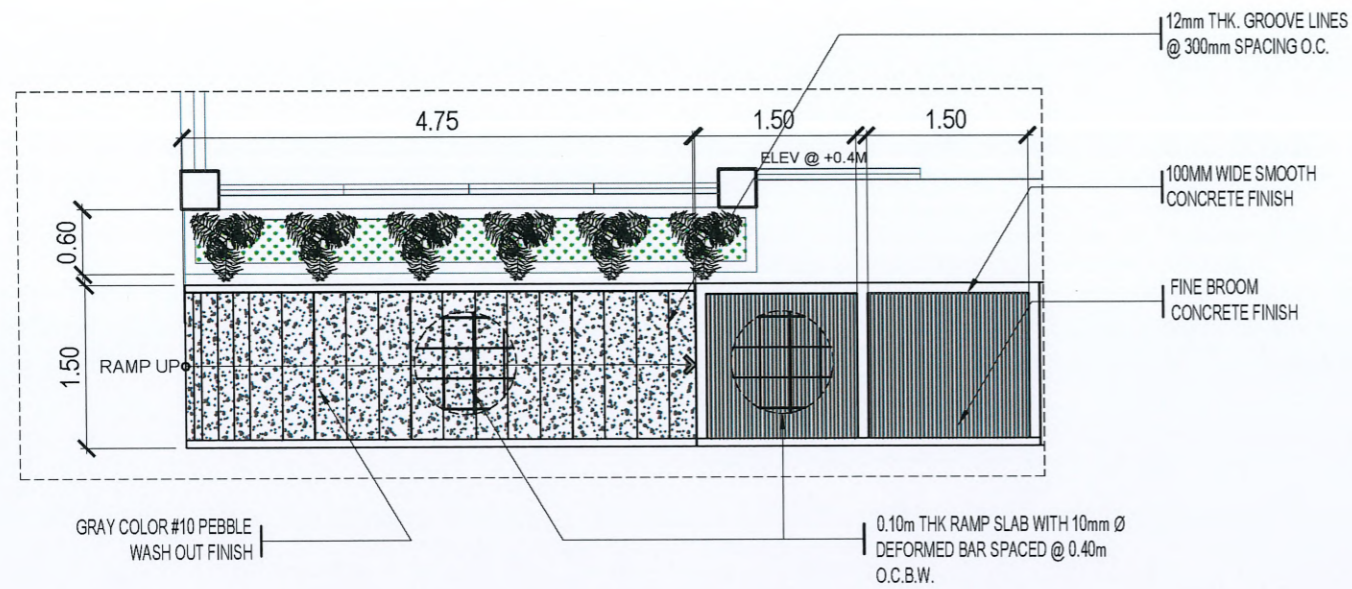
### PLANTBOX DETAIL - "A"

SCALE 1:70 MTS.



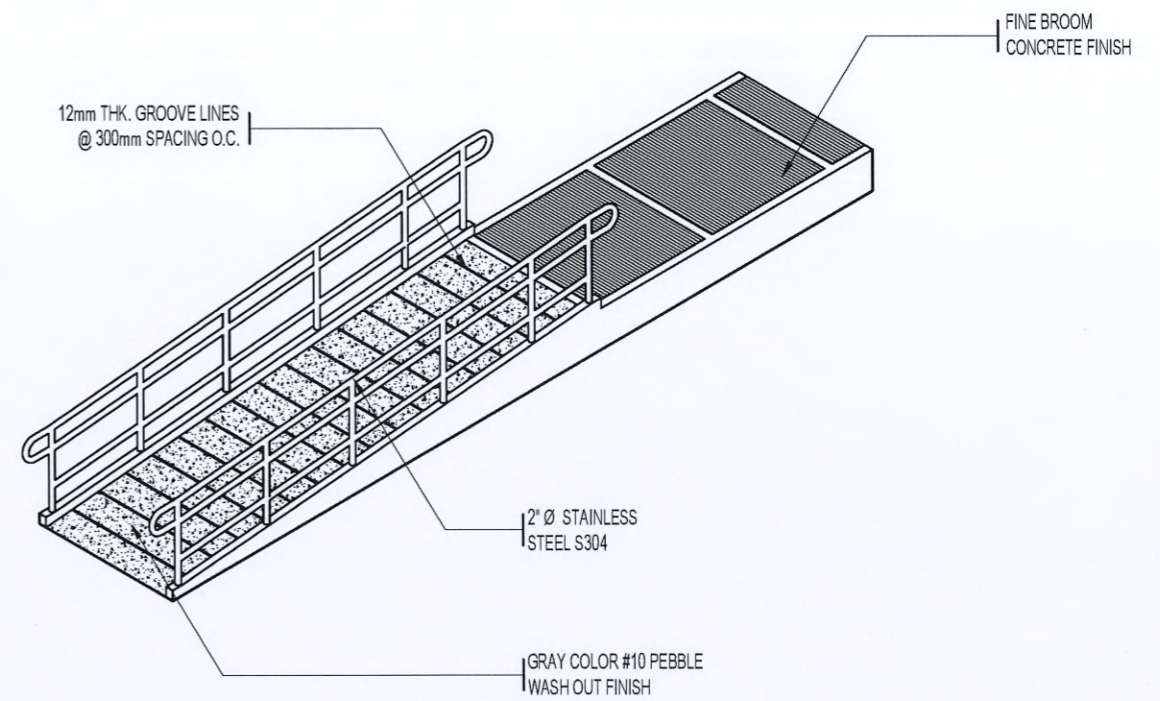
**TARLAC STATE UNIVERSITY**  
Facilities Development and Management Office  
Romulo Boulevard, Tarlac City, Philippines 2300

PROJECT TITLE: REFURBISHMENT OF COLLEGE OF ENGINEERING STUDENT CENTER	PREPARED BY: <i>[Signature]</i> AR. PAULINE ANGELA M. MARTINEZ PLANNING ISMAN, OFDM-PDU	CHECKED BY: <i>[Signature]</i> AR. CHERRY L. FABIANES HEAD, OFDM-PDU	CERTIFIED BY: <i>[Signature]</i> AR. ARLEN M. GUIEB DIRECTOR, OFDM	REQUESTING OFFICE: ENGR. MIRIAM S. GALVEZ DEAN, CDE	RECOMMENDING APPROVAL: <i>[Signature]</i> ATTY. WILMARK J. RAMOS, DBA VP FOR ADMINISTRATION	APPROVED: <i>[Signature]</i> DR. ARNOLD E. VELASCO PRESIDENT	SHEET CONTENTS: AS SHOWN DATE: DECEMBER 2024	SHEET NO: A-14 PAGE NO: 14 / 32
--------------------------------------------------------------------------	--------------------------------------------------------------------------------------------------	-------------------------------------------------------------------------------	-----------------------------------------------------------------------------	-----------------------------------------------------------	------------------------------------------------------------------------------------------------------	-----------------------------------------------------------------------	----------------------------------------------------	------------------------------------------



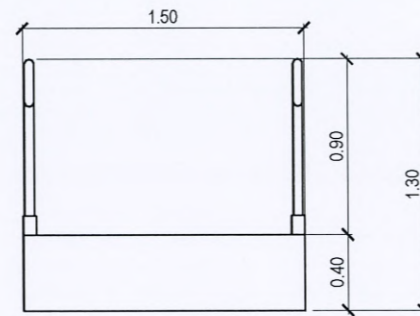
### RAMP "A" DETAILED PLAN

SCALE 1:70 MTS.



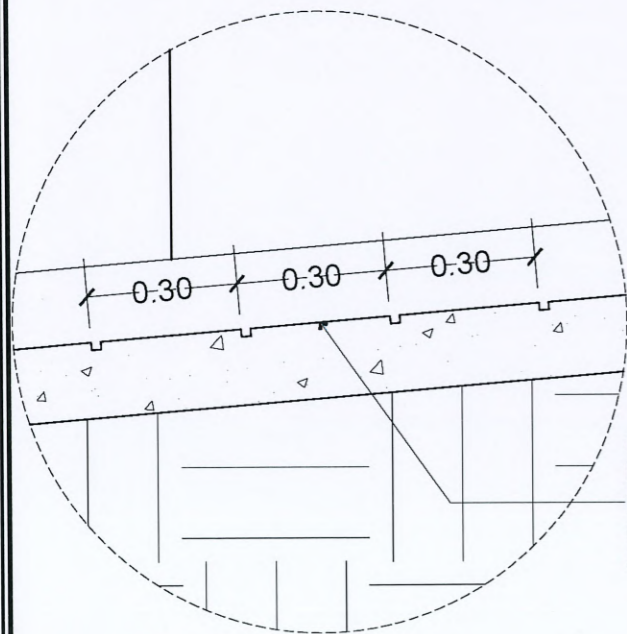
### RAMP "A" ISOMETRIC DETAIL

NTS.



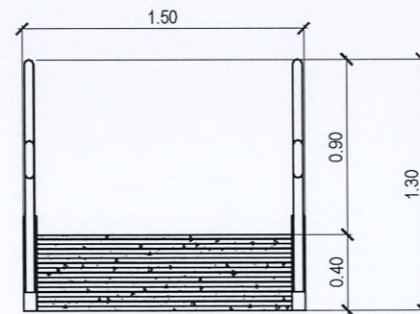
### RAMP "A" REAR ELEVATION

SCALE 1:40 MTS.



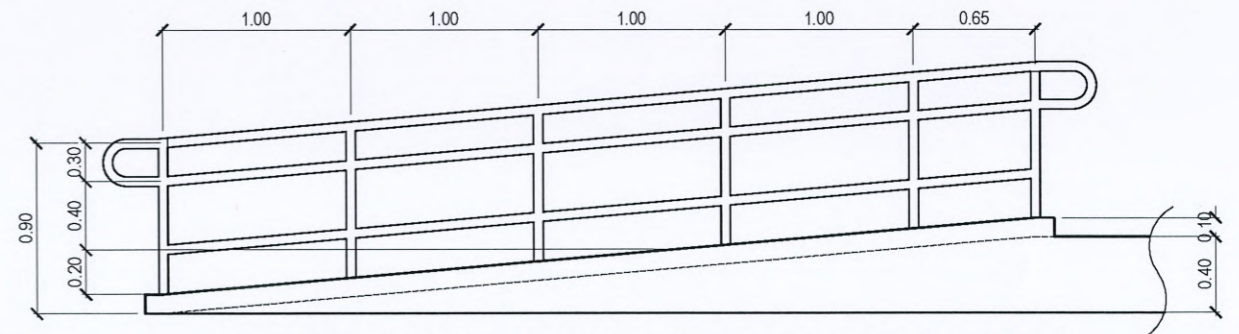
### GROOVE BLOW-UP DETAIL

SCALE 1:10 MTS.



### RAMP "A" FRONT ELEVATION

SCALE 1:40 MTS.



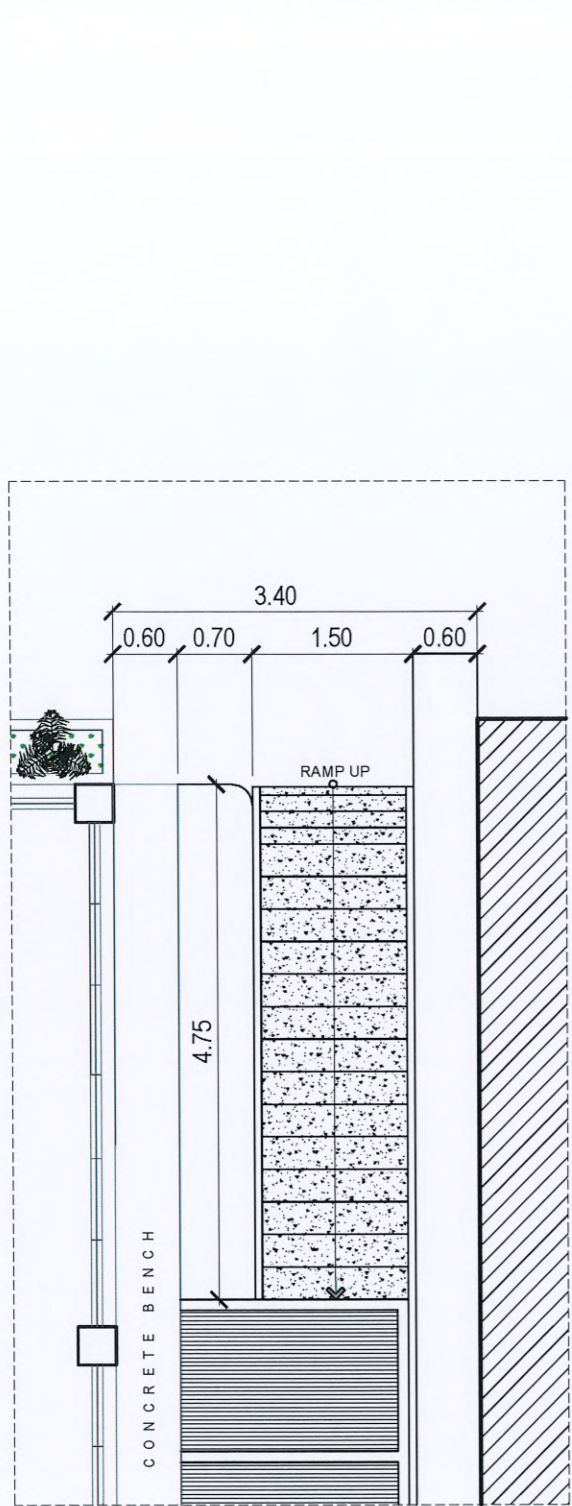
### RAMP "A" RIGHT SIDE ELEVATION

SCALE 1:40 MTS.

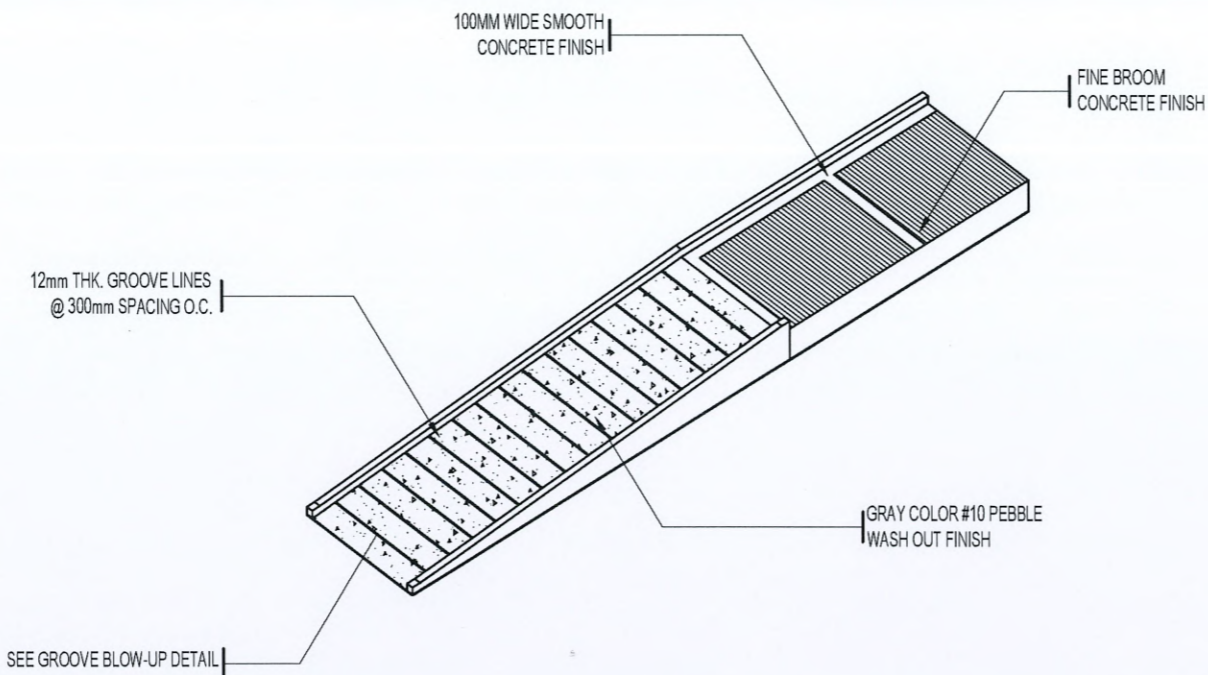


**TARLAC STATE UNIVERSITY**  
Facilities Development and Management Office  
Romulo Boulevard, Tarlac City, Philippines 2300

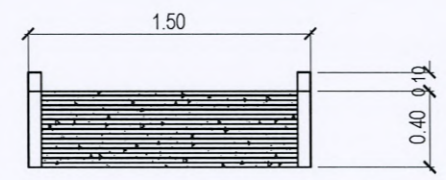
PROJECT TITLE: REFURBISHMENT OF COLLEGE OF ENGINEERING STUDENT CENTER	PREPARED BY: AR. PAULINE ANSELA M. MARTINEZ OFFICER IN CHARGE, OFDM-PDU	CHECKED BY: AR. CHERRY L. FABIANES HEAD, OFDM-PDU	CERTIFIED BY: AR. ARLEN M. GUIEB DIRECTOR, OFDM	REQUESTING OFFICE: ENGR. MIRIAM S. GALVEZ DEAN, COE	RECOMMENDING APPROVAL: ATTY. WILMARK J. RAMOS, DBA VP FOR ADMINISTRATION	APPROVED: DR. ARNOLD E. VELASCO PRESIDENT	SHEET CONTENTS: AS SHOWN DATE: DECEMBER 2024	SHEET NO: A-15 PAGE NO: 15/32
--------------------------------------------------------------------------	-------------------------------------------------------------------------------	---------------------------------------------------------	-------------------------------------------------------	-----------------------------------------------------------	--------------------------------------------------------------------------------	-------------------------------------------------	----------------------------------------------------	----------------------------------------



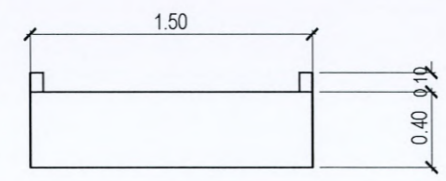
**RAMP "B" DETAILED PLAN**  
SCALE 1:70 MTS.



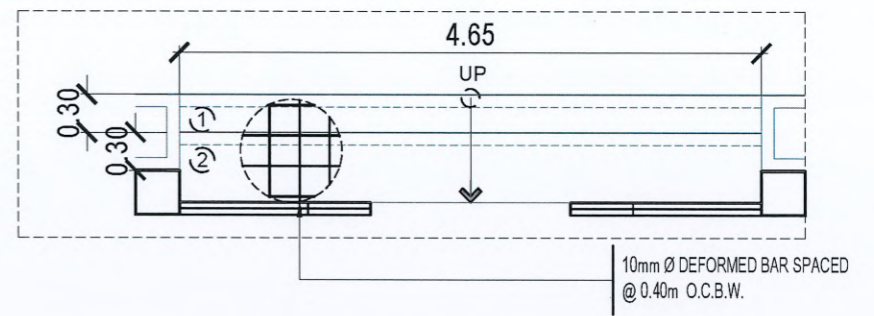
**RAMP "B" ISOMETRIC DETAIL**  
NTS.



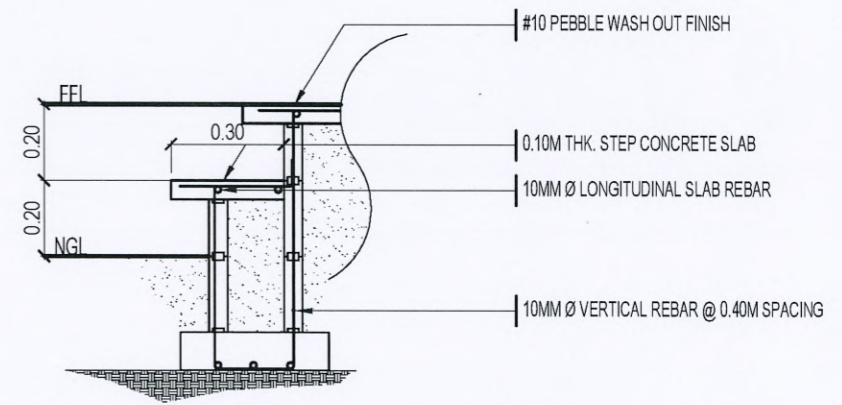
**RAMP "B" FRONT ELEVATION**  
SCALE 1:40 MTS.



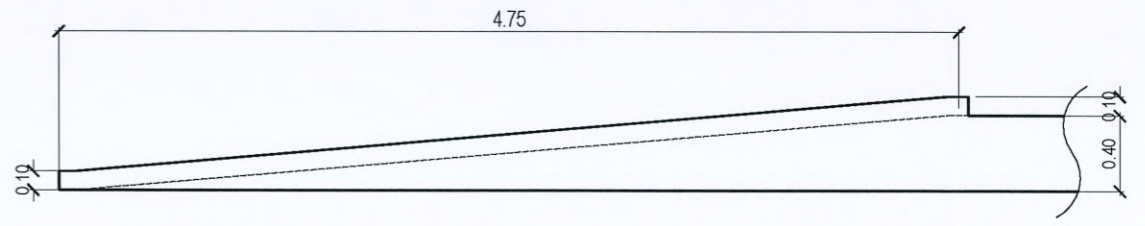
**RAMP "B" REAR ELEVATION**  
SCALE 1:40 MTS.



**STAIR BLOW-UP DETAIL**  
SCALE 1:60 MTS.



**STAIR SECTION DETAIL**  
SCALE 1:20 MTS.

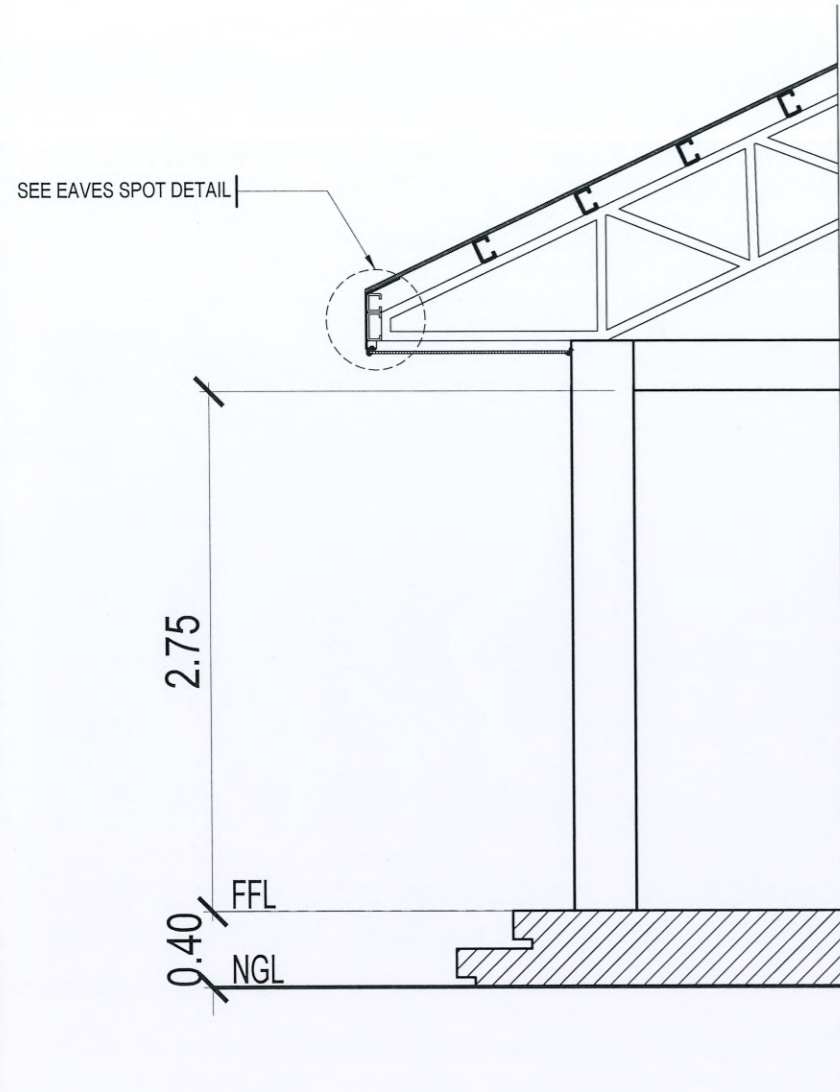


**RAMP "B" RIGHT SIDE ELEVATION**  
SCALE 1:40 MTS.



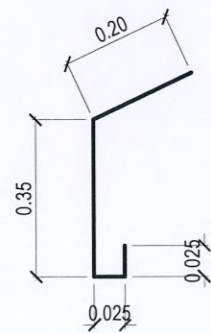
PROJECT TITLE:	REFURBISHMENT OF COLLEGE OF ENGINEERING STUDENT CENTER	PREPARED BY:	AR. PAULINE ANGELA M. MARTINEZ BRAEFORMAN, OFDM-PDU	CHECKED BY:	AR. CHERRY L. FABIANES HEAD, OFDM-PDU	CERTIFIED BY:	AR. ARLEN M. GUIEB DIRECTOR, OFDM	REQUESTING OFFICE:	ENGR. MIRIAM S. GALVEZ DEAN, COE	RECOMMENDING APPROVAL:	ATTY. WILMARK J. RAMOS, DBA VP FOR ADMINISTRATION	APPROVED:	DR. ARNOLD E. VELASCO PRESIDENT	SHEET CONTENTS:	AS SHOWN	SHEET NO.:	A-16
PROJECT LOCATION:	MAIN CAMPUS, TARLAC STATE UNIVERSITY															PAGE NO.:	16/32
																DATE:	DECEMBER 2024





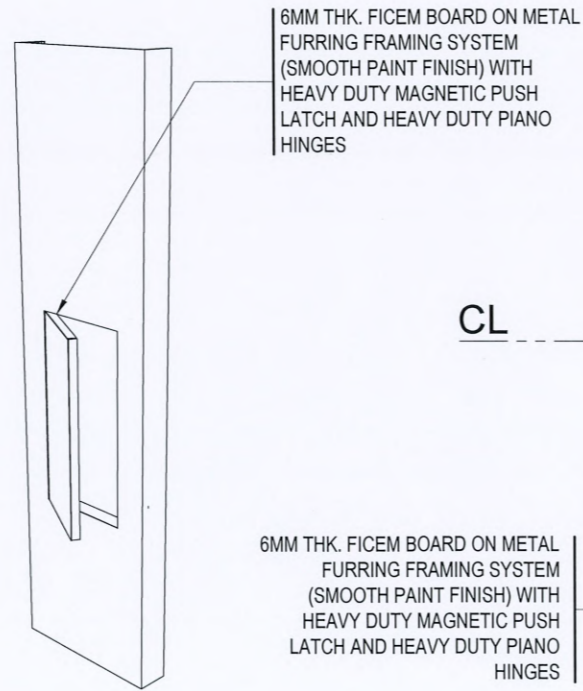
### WALL SECTION

SCALE 1:40 MTS.



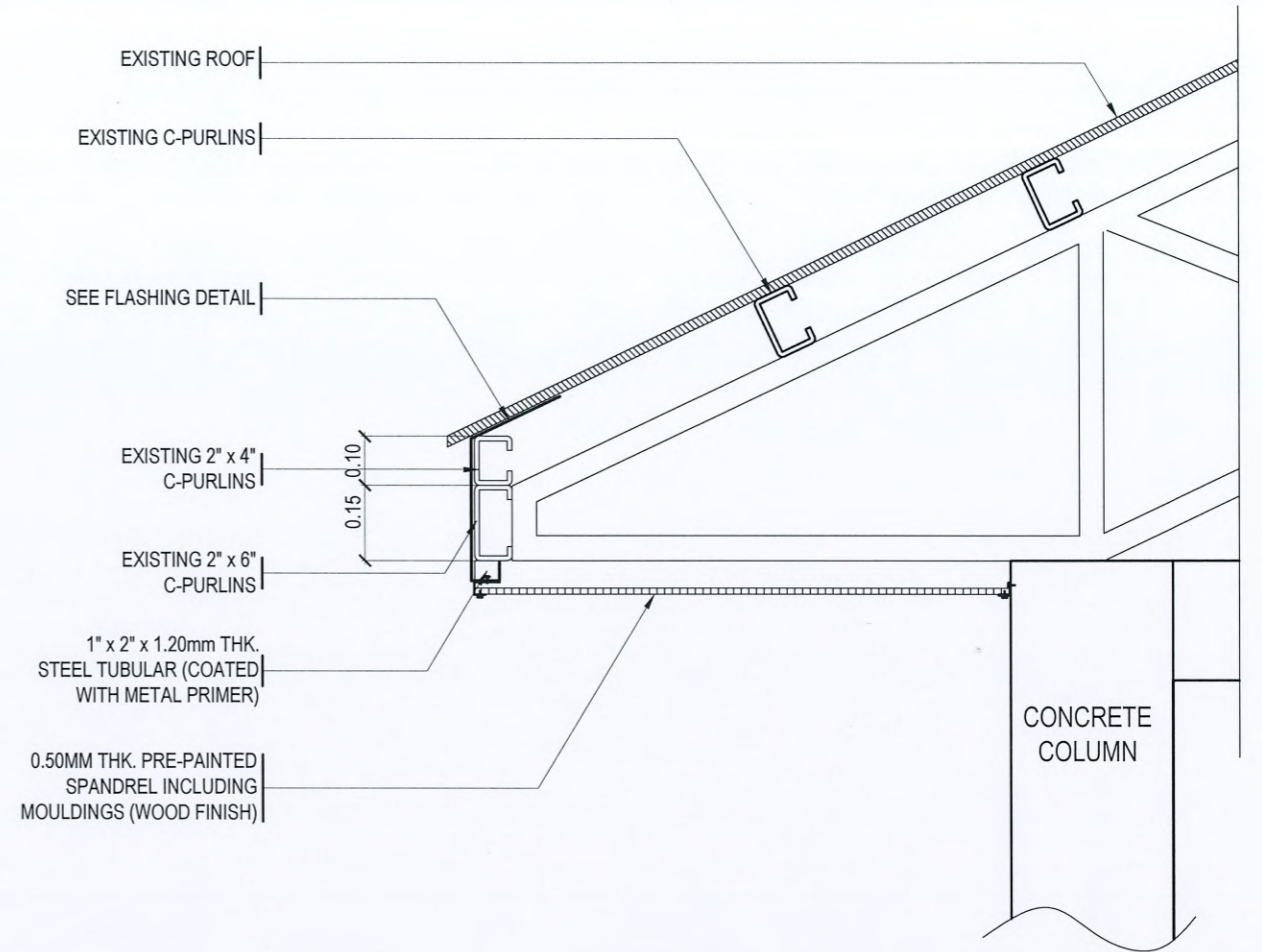
### FLASHING DETAIL

NTS.



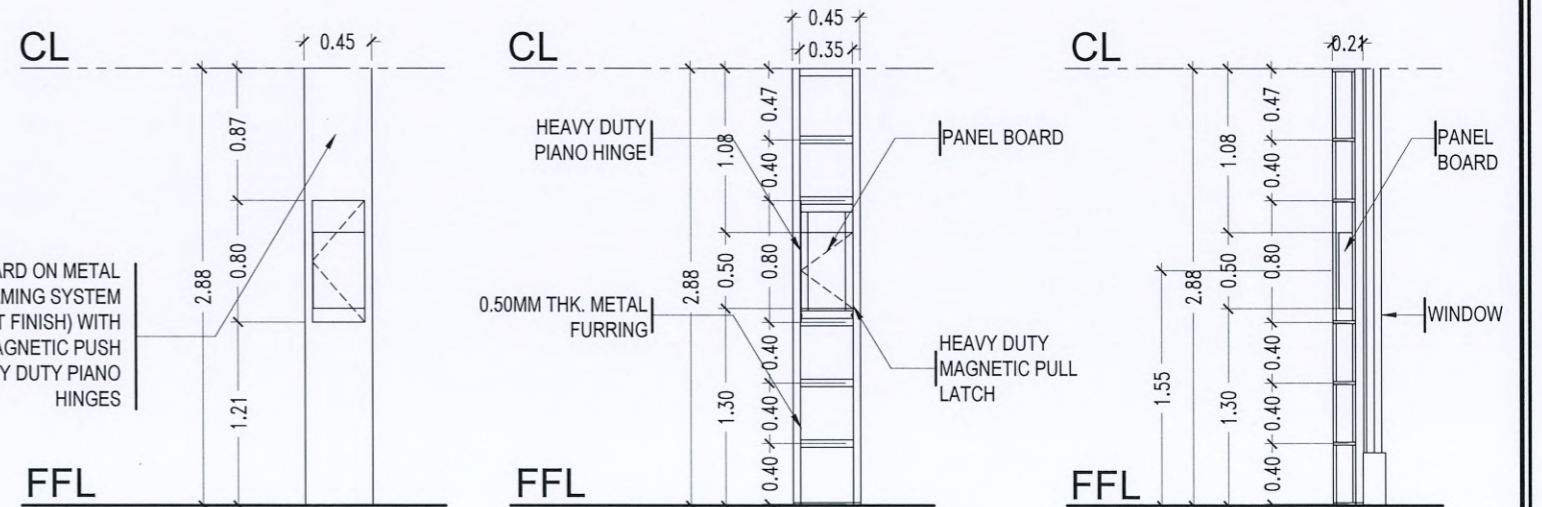
### FALSE COLUMN ISOMETRIC DETAIL

NTS.



### EAVES SPOT DETAIL

NTS.



### FALSE COLUMN FRAMING DETAIL

SCALE:1:150 MTS.



**TARLAC STATE UNIVERSITY**  
Facilities Development and Management Office  
Romulo Boulevard, Tarlac City, Philippines 2300

PROJECT TITLE:	REFURBISHMENT OF COLLEGE OF ENGINEERING STUDENT CENTER
PROJECT LOCATION:	MAIN CAMPUS, TARLAC STATE UNIVERSITY

PREPARED BY:	AR. PAULINE ANGELA M. MARTINEZ DRAFTSMAN, OFDM-PDU
--------------	-------------------------------------------------------

CHECKED BY:	AR. CHERRY L. FABIANES HEAD, OFDM-PDU
-------------	------------------------------------------

CERTIFIED BY:	AR. ARLEN M. GUIEB DIRECTOR, OFDM
---------------	--------------------------------------

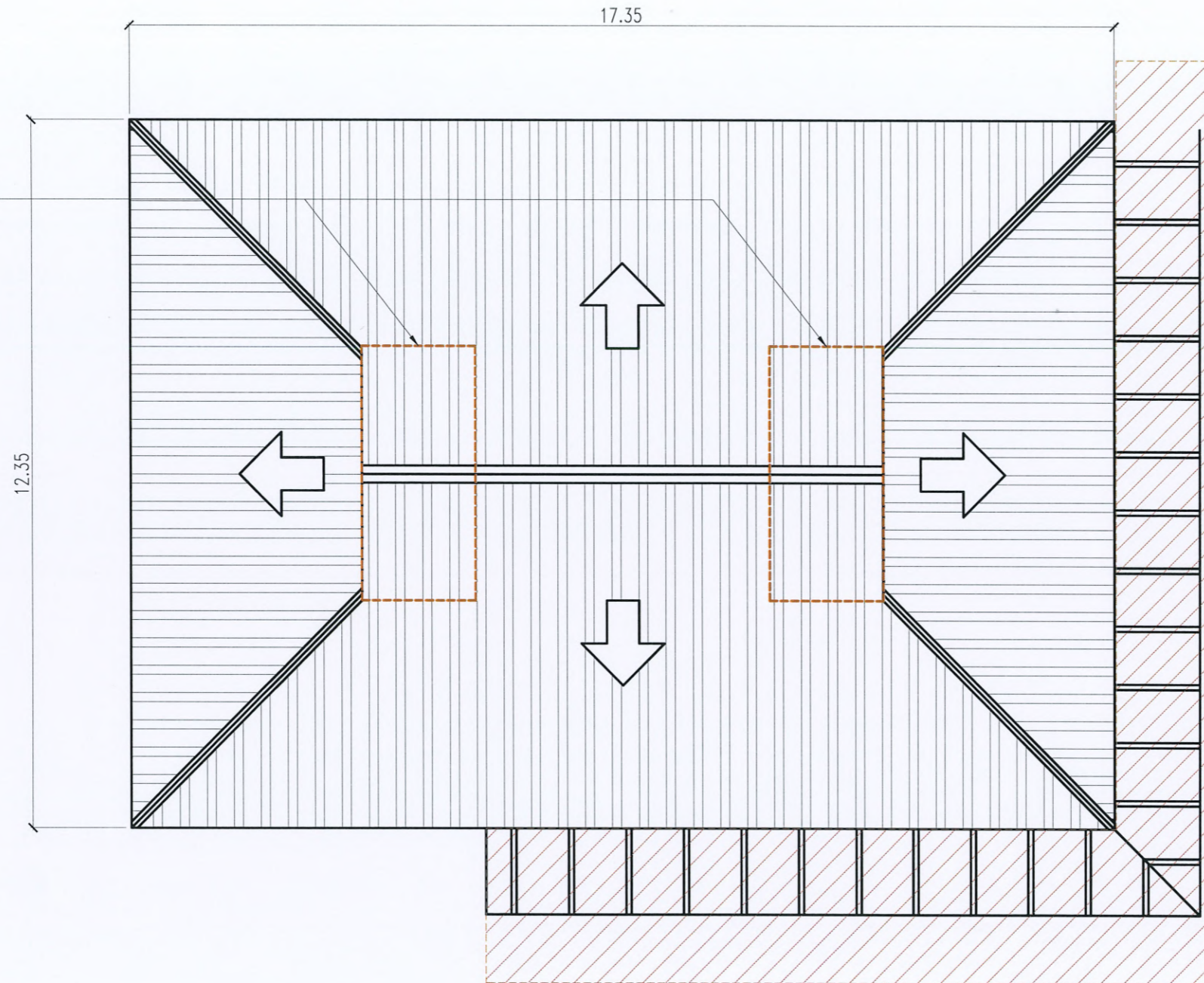
REQUESTING OFFICE:	ENGR. MIRIAM S. GALVEZ DEAN, COE
--------------------	-------------------------------------

RECOMMENDING APPROVAL:	ATTY. WILMARK J. RAMOS, DBA VP FOR ADMINISTRATION
------------------------	------------------------------------------------------

APPROVED:	DR. ARNOLD E. VELASCO PRESIDENT
-----------	------------------------------------

SHEET CONTENTS:	AS SHOWN
SHEET NO.:	A-17
PAGE NO.:	17/32
DATE:	DECEMBER 2024


PROVIDE ADDITIONAL 0.50 mm thick PRE- PAINTED METAL ROOFING TO EXISTING ROOF



### EXISTING ROOF PLAN

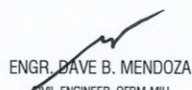
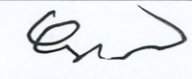


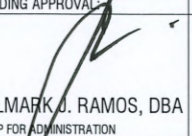

SCALE 1:100 MTS.

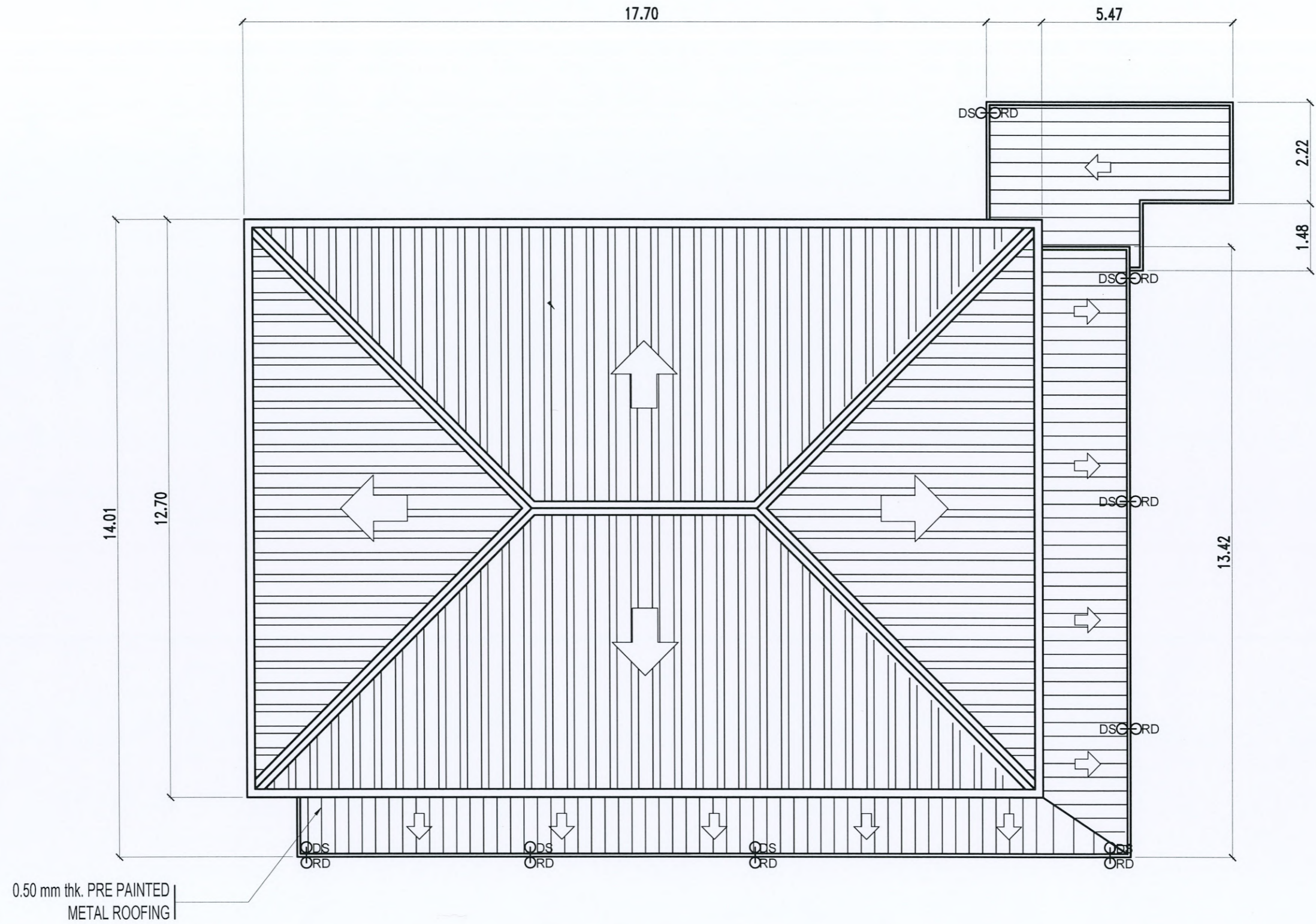
LEGEND :

 ROOF AND TRUSSES OF PATHWAY SHALL BE REPLACED





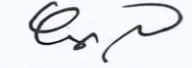

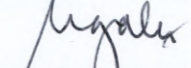


**TARLAC STATE UNIVERSITY**  
Facilities Development and Management Office  
Remulo Boulevard, Tarlac City, Philippines 2300

PROJECT TITLE: REFURBISHMENT OF COLLEGE OF ENGINEERING STUDENT CENTER PROJECT LOCATION: MAIN CAMPUS, TARLAC STATE UNIVERSITY	PREPARED BY:   ENGR. DAVE B. MENDOZA <small>CIVIL ENGINEER, OFDM-MIU</small>	CHECKED BY:   AR. CHERRY L. FABIANES <small>HEAD, OFDM-PDU</small>	CERTIFIED BY:   AR. ARLEN M. GUIAB <small>DIRECTOR, OFDM</small>	REQUESTING OFFICE:   ENGR. MIRIAM S. GALVEZ <small>DEAN, COE</small>	RECOMMENDING APPROVAL:   ATTY. WILMARK J. RAMOS, DBA <small>VP FOR ADMINISTRATION</small>	APPROVED:   DR. ARNOLD E. VELASCO <small>PRESIDENT</small>	SHEET CONTENTS: AS SHOWN DATE: DECEMBER 2024	SHEET NO: S-1 PAGE NO: 18/32
---------------------------------------------------------------------------------------------------------------------------------------	-------------------------------------------------------------------------------------------------------------------------------------------------------------------------------	---------------------------------------------------------------------------------------------------------------------------------------------------------------------	-------------------------------------------------------------------------------------------------------------------------------------------------------------------	-----------------------------------------------------------------------------------------------------------------------------------------------------------------------	--------------------------------------------------------------------------------------------------------------------------------------------------------------------------------------------	-------------------------------------------------------------------------------------------------------------------------------------------------------------	----------------------------------------------------	---------------------------------------



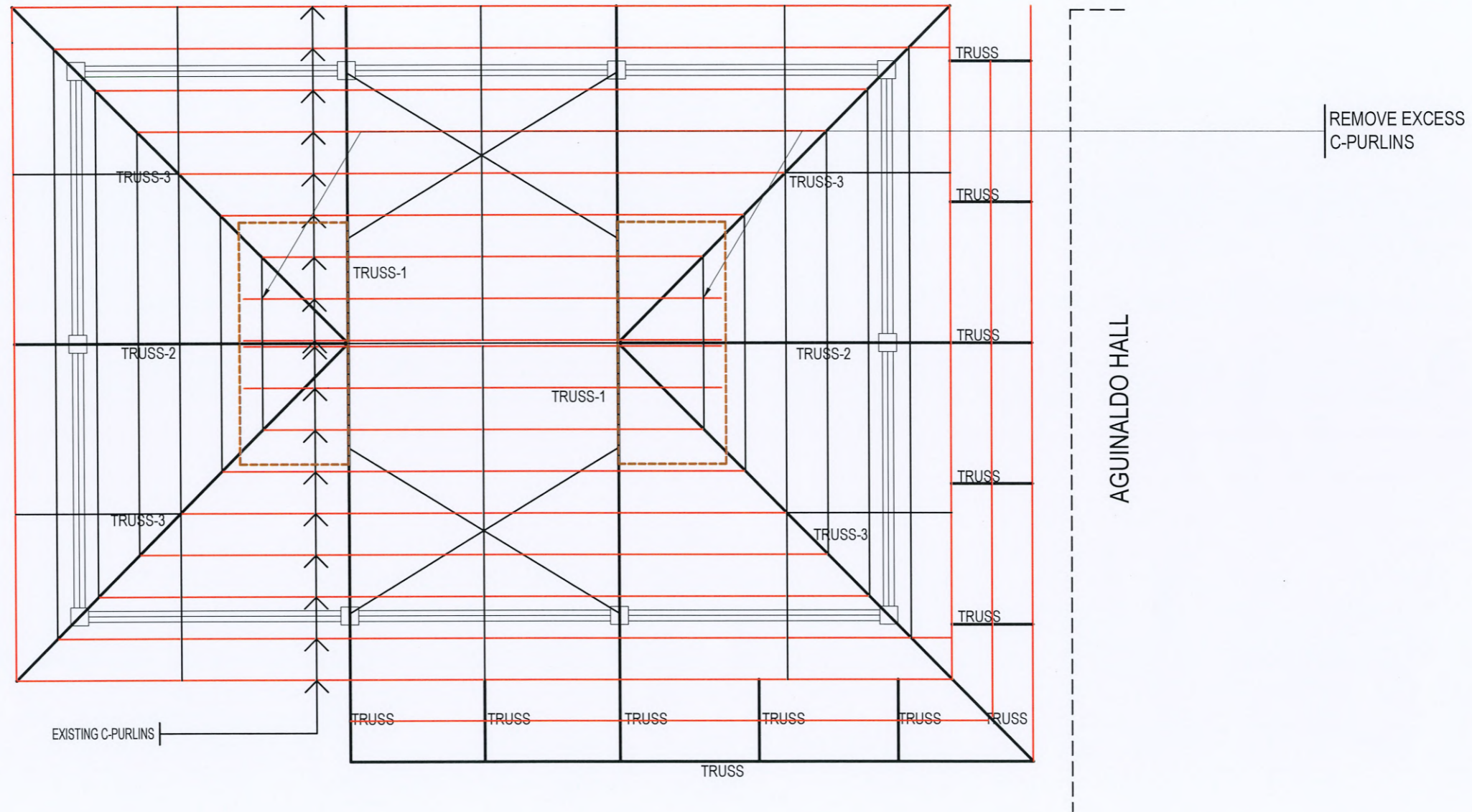
## PROPOSED ROOF PLAN

SCALE 1:100 MTS.

 <b>TARLAC STATE UNIVERSITY</b> Facilities Development and Management Office <small>Romulo Boulevard, Tarlac City, Philippines 2300</small>	PROJECT TITLE:	PREPARED BY:	CHECKED BY:	CERTIFIED BY:	REQUESTING OFFICE:	RECOMMENDING APPROVAL:	APPROVED:	SHEET CONTENTS:	SHEET NO.:
	REFURBISHMENT OF COLLEGE OF ENGINEERING STUDENT CENTER	 <small>ENGR. DAVE B. MENDOZA CIVIL ENGINEER, OFDM-MIU</small>	 <small>AR. CHERRY L. FABIANES HEAD, OFDM-PDU</small>	 <small>AR. ARLEN M. GUIEB DIRECTOR, OFDM</small>	 <small>ENGR. MIRIAM S. GALVEZ DEAN, COE</small>	 <small>ATTY. WILMARK J. RAMOS, DBA VP FOR ADMINISTRATION</small>	 <small>DR. ARNOLD E. VELASCO PRESIDENT</small>	AS SHOWN	S-2
	PROJECT LOCATION: MAIN CAMPUS, TARLAC STATE UNIVERSITY								DATE: DECEMBER 2024


NOTE :

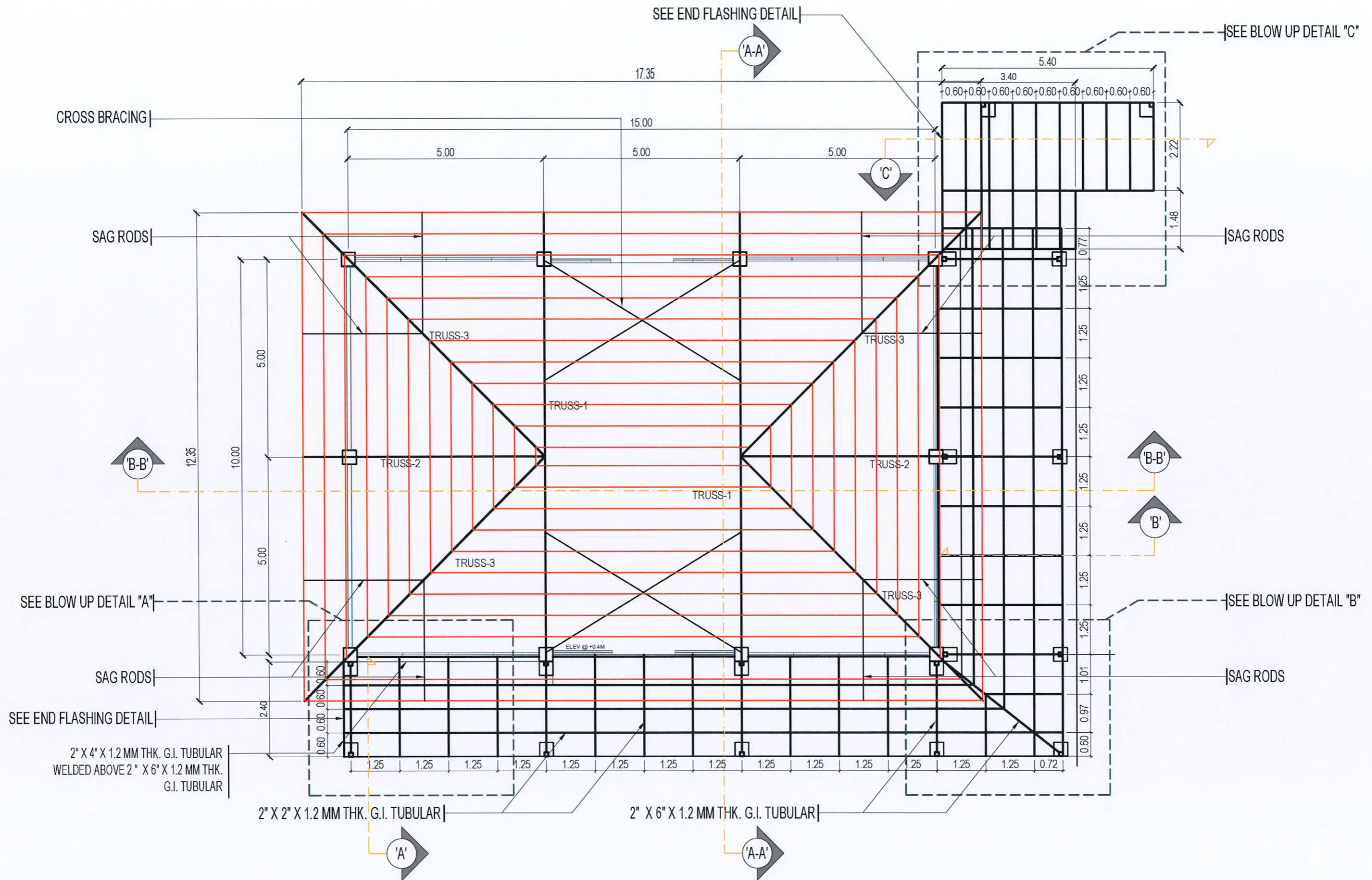
- RUST-PROOFING SHALL BE APPLIED ON ALL EXISTING TRUSSES AND C-PURLINS AND SHALL BE REPAINTED WITH 2 COATS BLACK ENAMEL PAINT.
- ALL EXISTING TRUSSES AND ROOFING IN THE PATHWAY SHALL BE REMOVED.



## EXISTING ROOF FRAMING PLAN


SCALE 1:100 MTS.

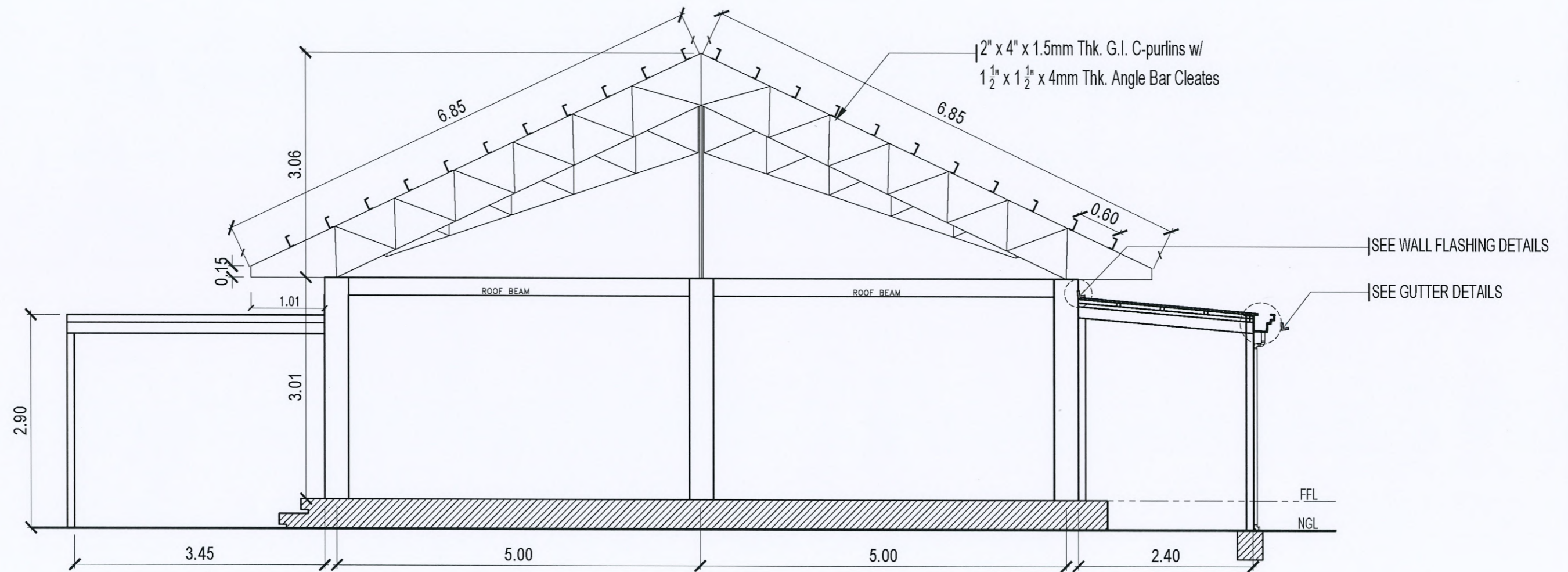
 <b>TARLAC STATE UNIVERSITY</b> Facilities Development and Management Office Romulo Boulevard, Tarlac City, Philippines 2300	PROJECT TITLE:	PREPARED BY:	CHECKED BY:	CERTIFIED BY:	REQUESTING OFFICE:	RECOMMENDING APPROVAL:	APPROVED:	SHEET CONTENTS:	SHEET NO:
	REFURBISHMENT OF COLLEGE OF ENGINEERING STUDENT CENTER	ENGR. DAVE B. MENDOZA CIVIL ENGINEER, OFDM-MIU	AR. CHERRY L. FABIANES HEAD, OFDM-PDU	AR. ARLEN M. GUIEB DIRECTOR, OFDM	ENGR. MIRIAM S. GALVEZ DEAN, COE	ATTY. WILMARK J. RAMOS, DBA VP FOR ADMINISTRATION	DR. ARNOLD E. VELASCO PRESIDENT	AS SHOWN	S-3
PROJECT LOCATION:	MAIN CAMPUS, TARLAC STATE UNIVERSITY							DATE: DECEMBER 2024	PAGE NO: 20/32



# PROPOSED ROOF FRAMING PLAN

SCALE 1:100 MTS.

 <b>TARLAC STATE UNIVERSITY</b> Facilities Development and Management Office Romulo Boulevard, Tarlac City, Philippines 2300	PROJECT TITLE:	PREPARED BY:	CHECKED BY:	CERTIFIED BY:	REQUESTING OFFICE:	RECOMMENDING APPROVAL:	APPROVED:	SHEET CONTENTS:	SHEET NO.:
	REFURBISHMENT OF COLLEGE OF ENGINEERING STUDENT CENTER	ENGR. DAVE B. MENDOZA CIVIL ENGINEER, OFDM-MIU	AR. CHERRY L. FABIANES HEAD, OFDM-PDU	AR. ARLEN M. GUIEB DIRECTOR, OFDM	ENGR. MIRIAM S. GALVEZ DEAN, COE	ATTY. WILMARK J. RAMOS, DBA VP FOR ADMINISTRATION	DR. ARNOLD E. VELASCO PRESIDENT	AS SHOWN	S-4
	PROJECT LOCATION:							DATE: DECEMBER 2024	PAGE NO: 21/32



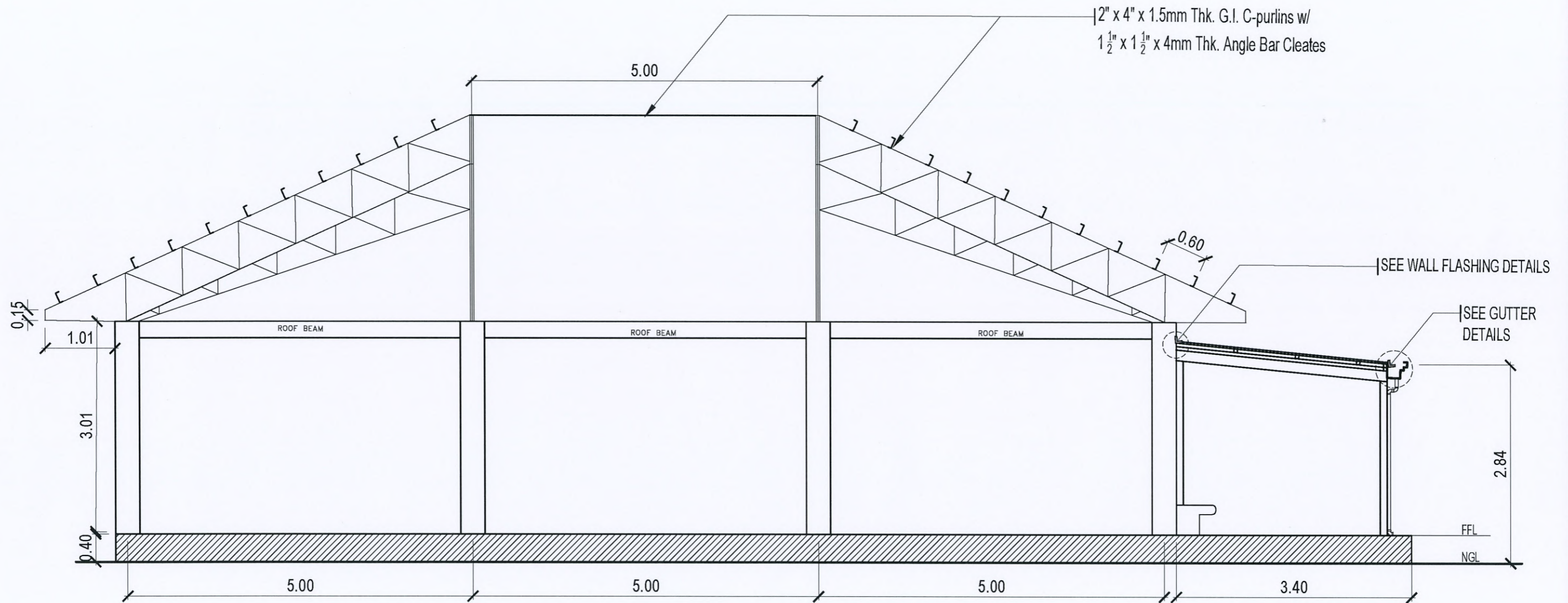
### SECTION 'A-A'

SCALE 1:60 MTS.






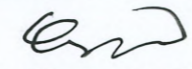
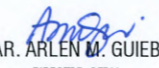
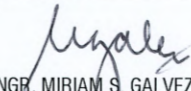
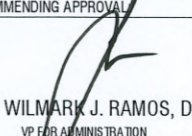

**TARLAC STATE UNIVERSITY**  
Facilities Development and Management Office  
Romulo Boulevard, Tarlac City, Philippines 2300

PROJECT TITLE: REFURBISHMENT OF COLLEGE OF ENGINEERING STUDENT CENTER	PREPARED BY:  ENGR. DAVE B. MENDOZA CIVIL ENGINEER, OFDM-MIU	CHECKED BY:  AR. CHERRY L. FABIANES HEAD, OFDM-PDU	CERTIFIED BY:  AR. ARLEN M. GUIEB DIRECTOR, OFDM	REQUESTING OFFICE:  ENGR. MIRIAM S. GALVEZ DEAN, COE	RECOMMENDING APPROVAL:  ATTY. WILMARK J. RAMOS, DBA VP FOR ADMINISTRATION	APPROVED:  DR. ARNOLD E. VELASCO PRESIDENT	SHEET CONTENTS: AS SHOWN	SHEET NO.: S-5
PROJECT LOCATION: MAIN CAMPUS, TARLAC STATE UNIVERSITY							DATE: DECEMBER 2024	PAGE NO.: 22/32



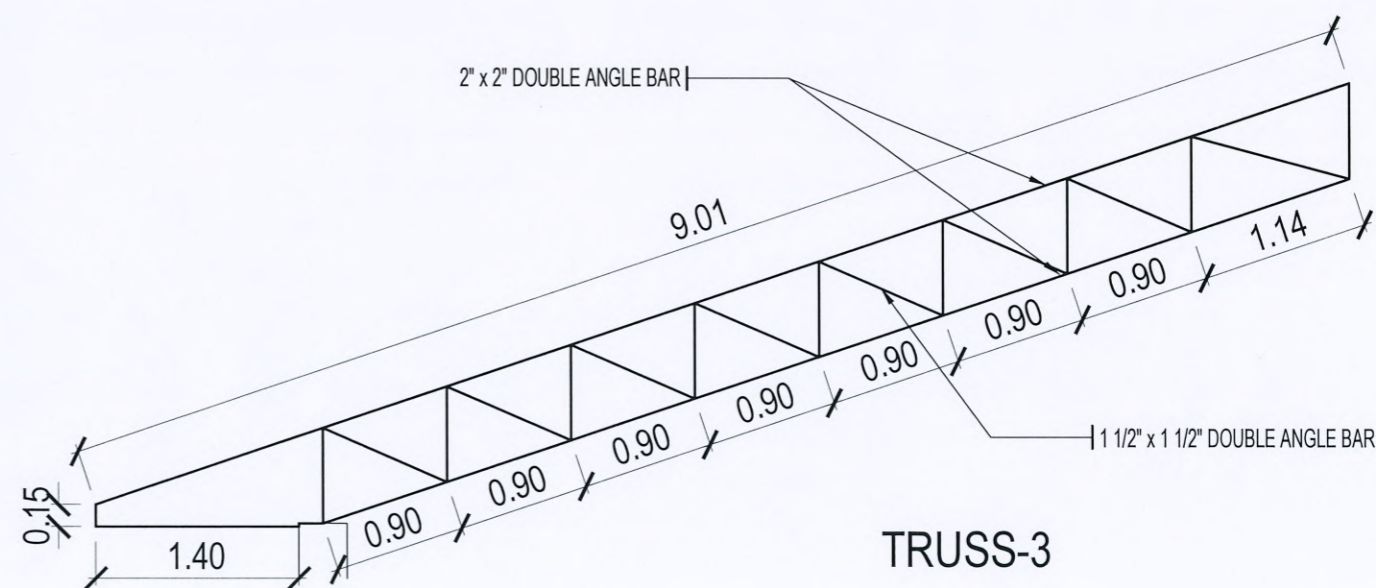
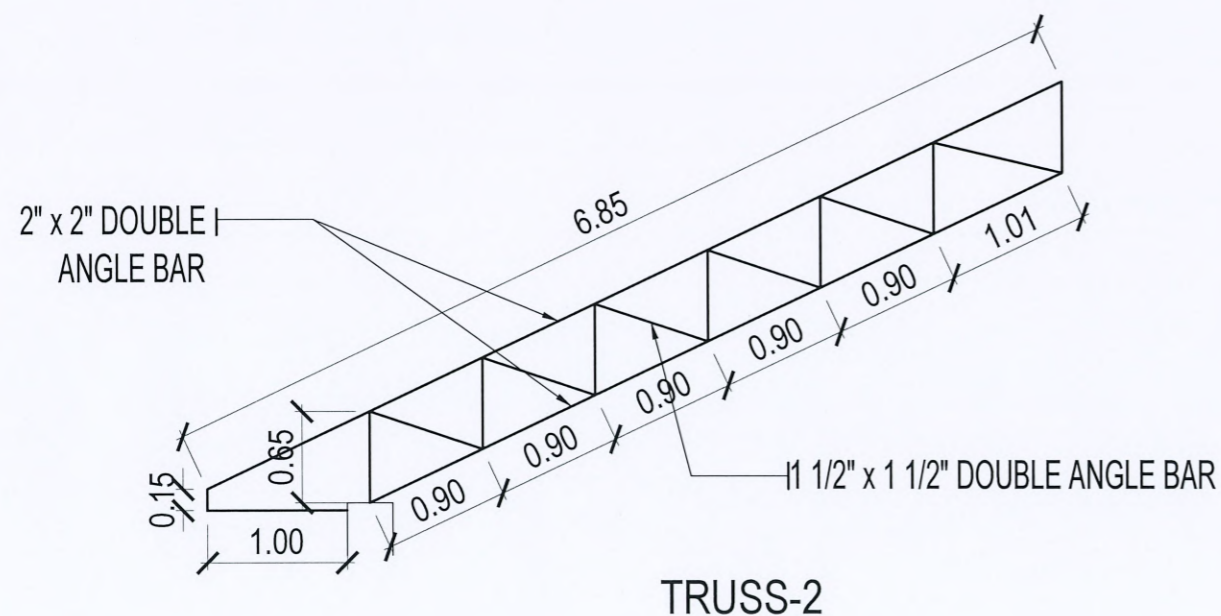
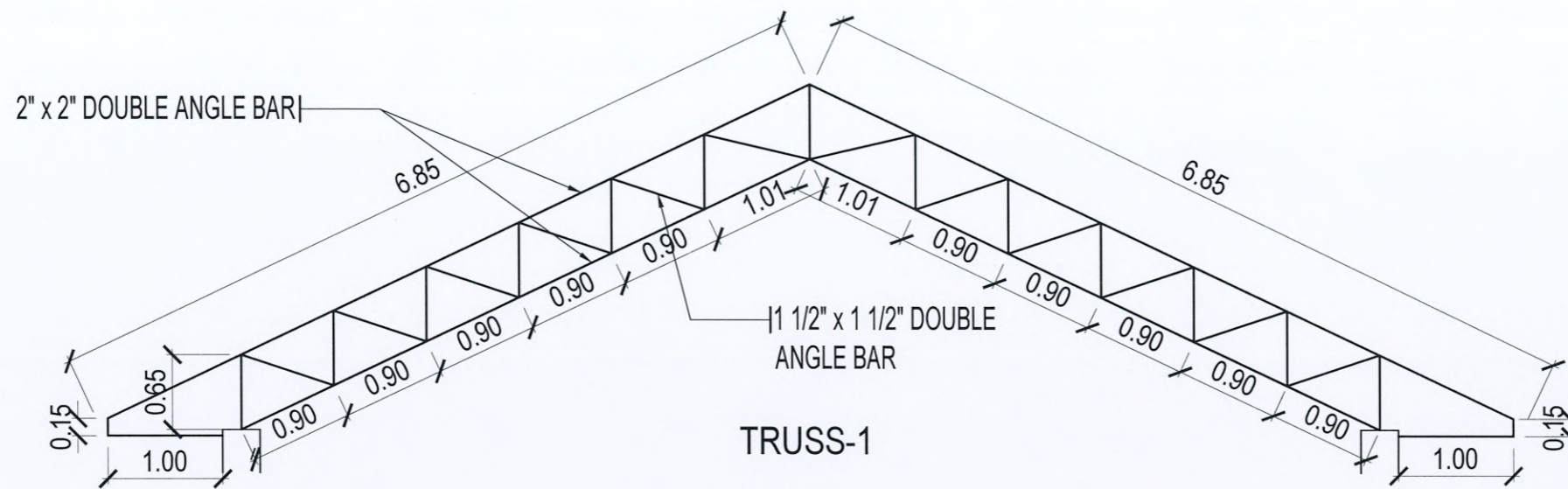
### SECTION 'B-B'

SCALE 1:60 MTS.

  <p><b>TARLAC STATE UNIVERSITY</b> Facilities Development and Management Office Romulo Boulevard, Tarlac City, Philippines 2300</p>	PROJECT TITLE:	PREPARED BY:	CHECKED BY:	CERTIFIED BY:	REQUESTING OFFICE:	RECOMMENDING APPROVAL:	APPROVED:	SHEET CONTENTS:	SHEET NO.:
	REFURBISHMENT OF COLLEGE OF ENGINEERING STUDENT CENTER							AS SHOWN	S-6
	PROJECT LOCATION:	ENGR. DAVE B. MENDOZA CIVIL ENGINEER, OFDM-MIU	AR. CHERRY L. FABIANES HEAD, OFDM-PDU	AR. ARLEN M. GUIEB DIRECTOR, OFDM	ENGR. MIRIAM S. GALVEZ DEAN, DBE	ATTY. WILMARK J. RAMOS, DBA VP FOR ADMINISTRATION	DR. ARNOLD E. VELASCO PRESIDENT	DATE: DECEMBER 2024	PAGE NO: 23/32

NOTE :

- RUST-PROOFING SHALL BE APPLIED ON ALL EXISTING TRUSSES AND SHALL BE REPAINTED WITH 2 COATS BLACK ENAMEL PAINT.



## EXISTING TRUSS DETAILS

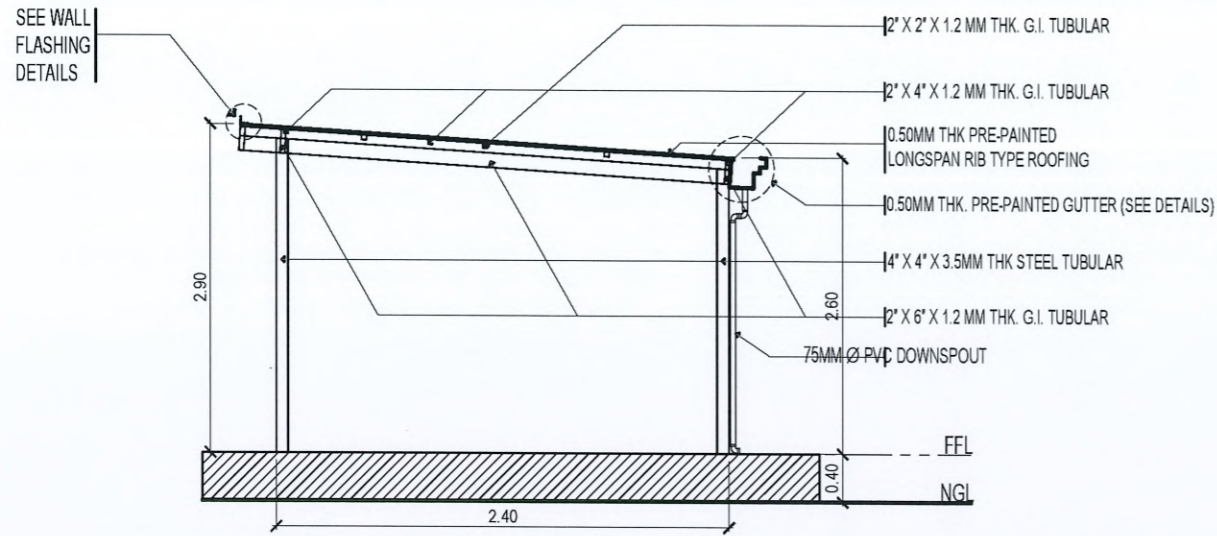
SCALE 1:200 MTS.



**TARLAC STATE UNIVERSITY**  
Facilities Development and Management Office  
Romulo Boulevard, Tarlac City, Philippines 2300

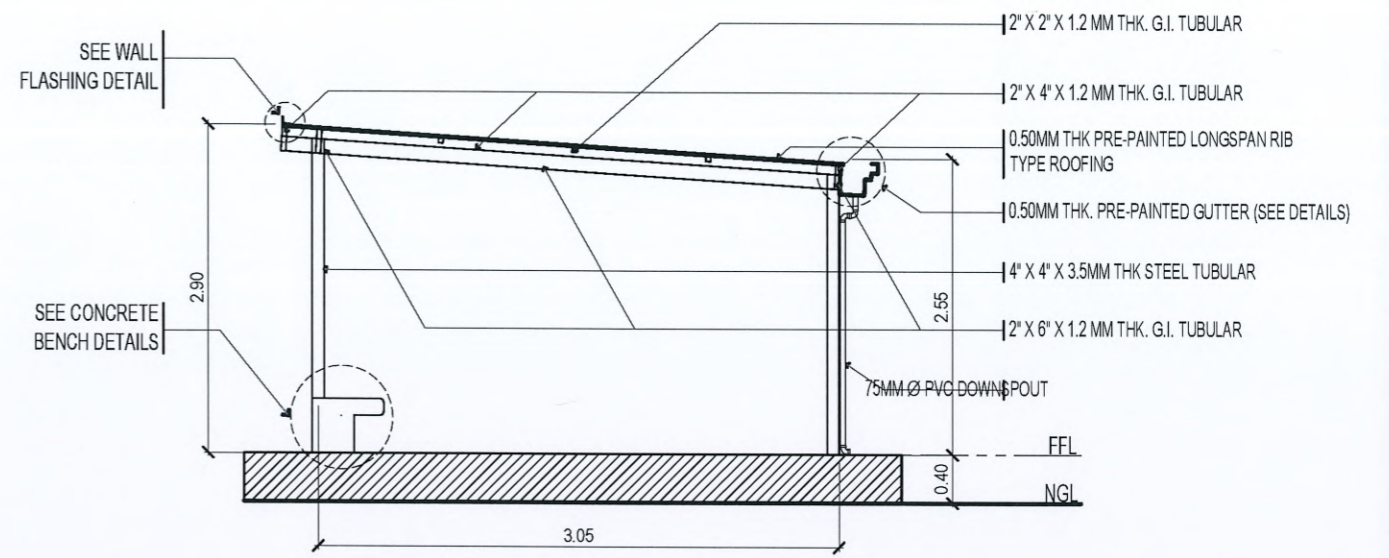
PROJECT TITLE: REFURBISHMENT OF COLLEGE OF ENGINEERING STUDENT CENTER	PREPARED BY: ENGR. DAVE B. MENDOZA CIVIL ENGINEER, OFDM-MIU	CHECKED BY: AR. CHERRY L. FABIANES HEAD, OFDM-PDU	CERTIFIED BY: AR. ARLEN M. GUIEB DIRECTOR, OFDM	REQUESTING OFFICE: ENGR. MIRIAM S. GALVEZ DEAN, CBE	RECOMMENDING APPROVAL: ATTY. WILMARK J. RAMOS, DBA VP FOR ADMINISTRATION	APPROVED: DR. ARNOLD E. VELASCO PRESIDENT	SHEET CONTENTS: AS SHOWN	SHEET NO.: S-7
PROJECT LOCATION: MAIN CAMPUS, TARLAC STATE UNIVERSITY							DATE: DECEMBER 2024	PAGE NO.: 24/32





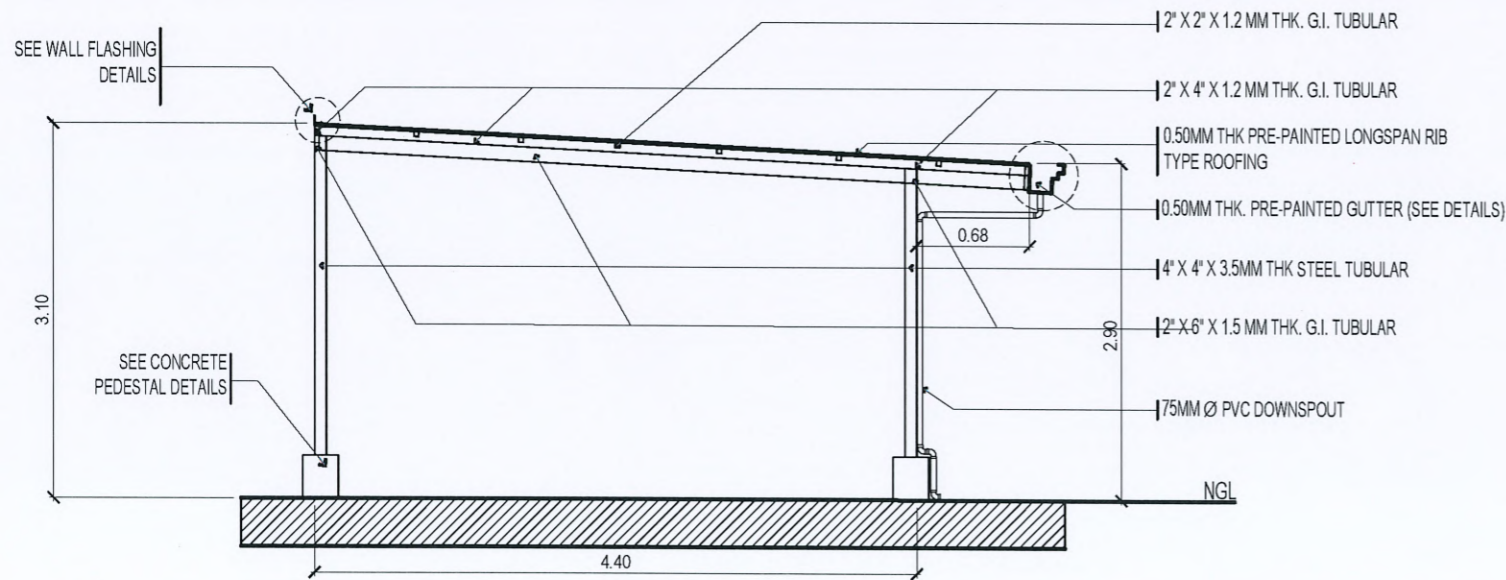
### SECTION 'A'

SCALE 1:60 MTS.



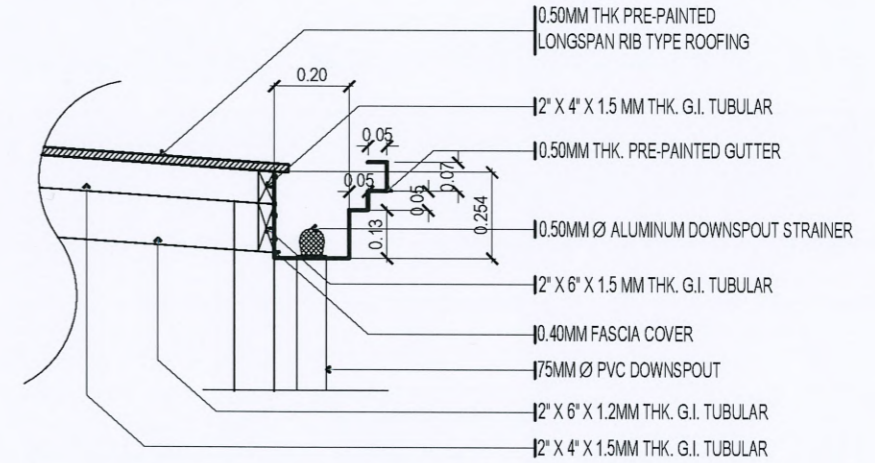
### SECTION 'B'

SCALE 1:60 MTS.



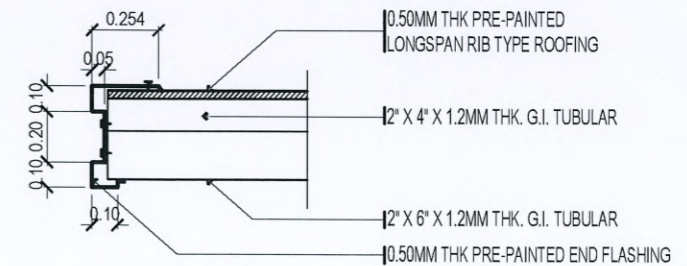
### SECTION 'C'

SCALE 1:60 MTS.



### GUTTER DETAIL

SCALE 1:20 MTS.



### END FLASHING DETAIL

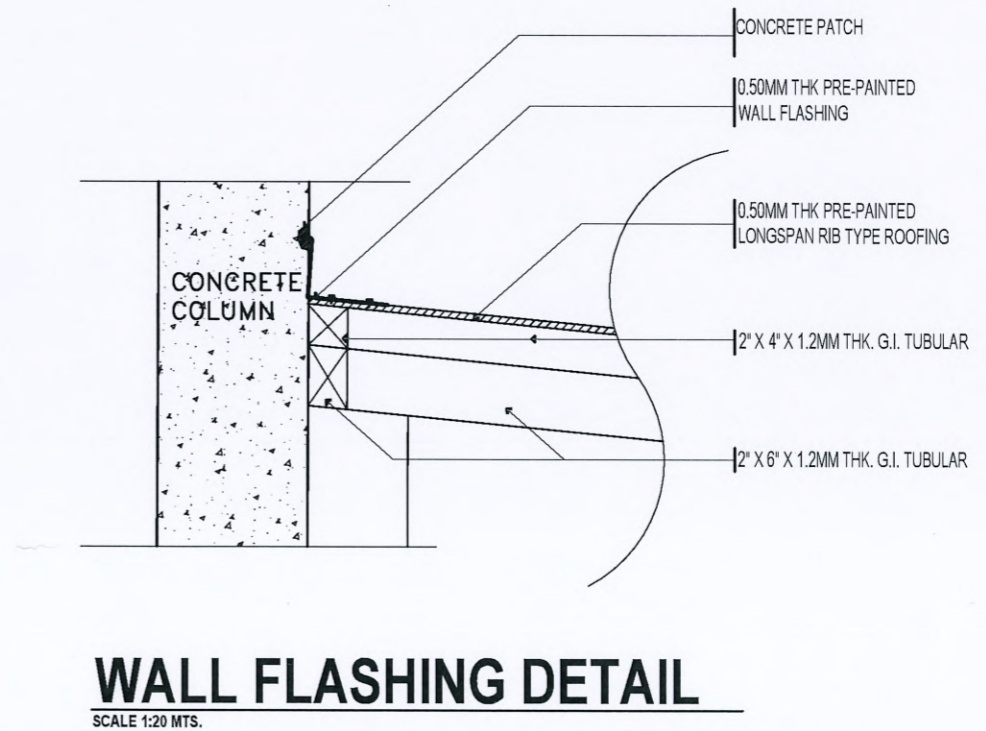
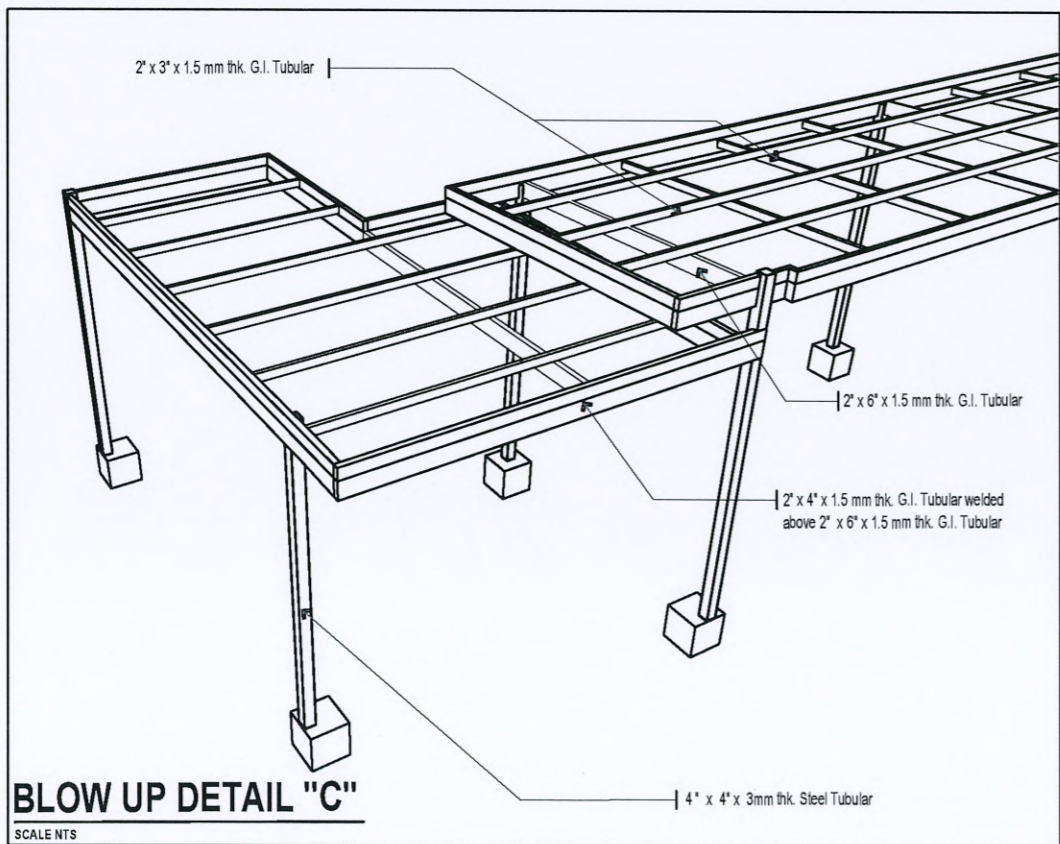
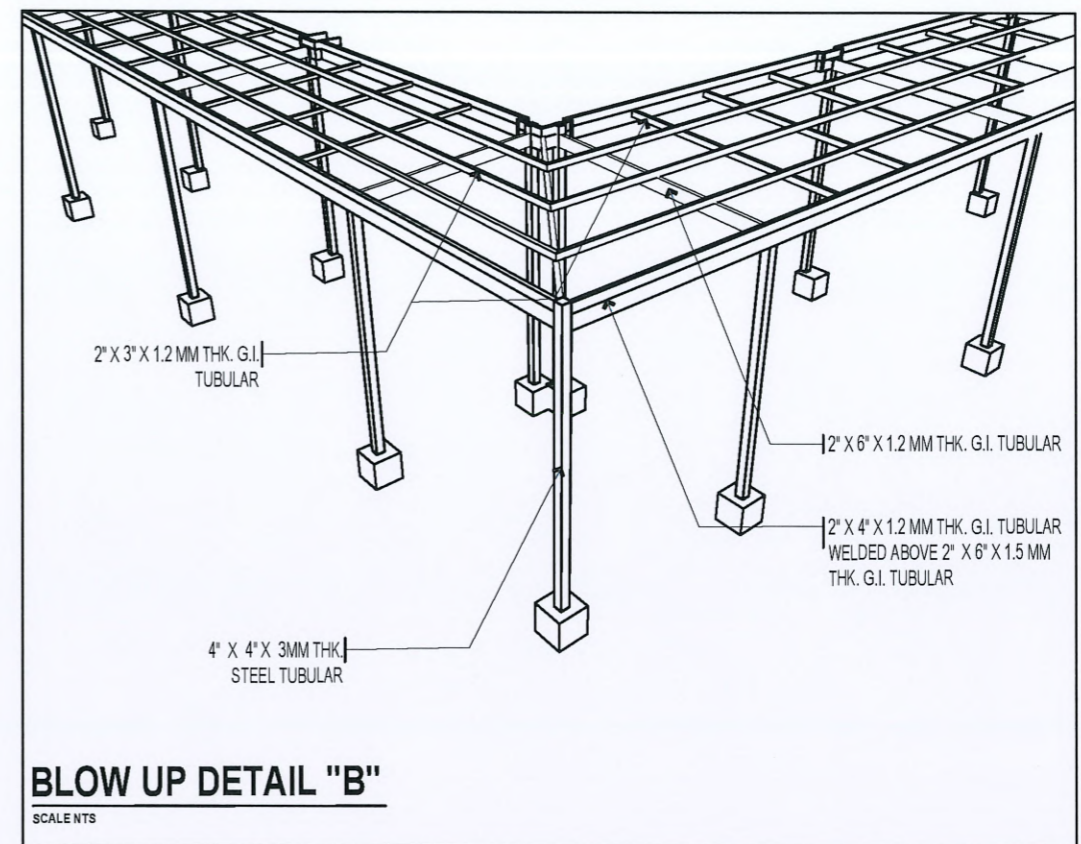
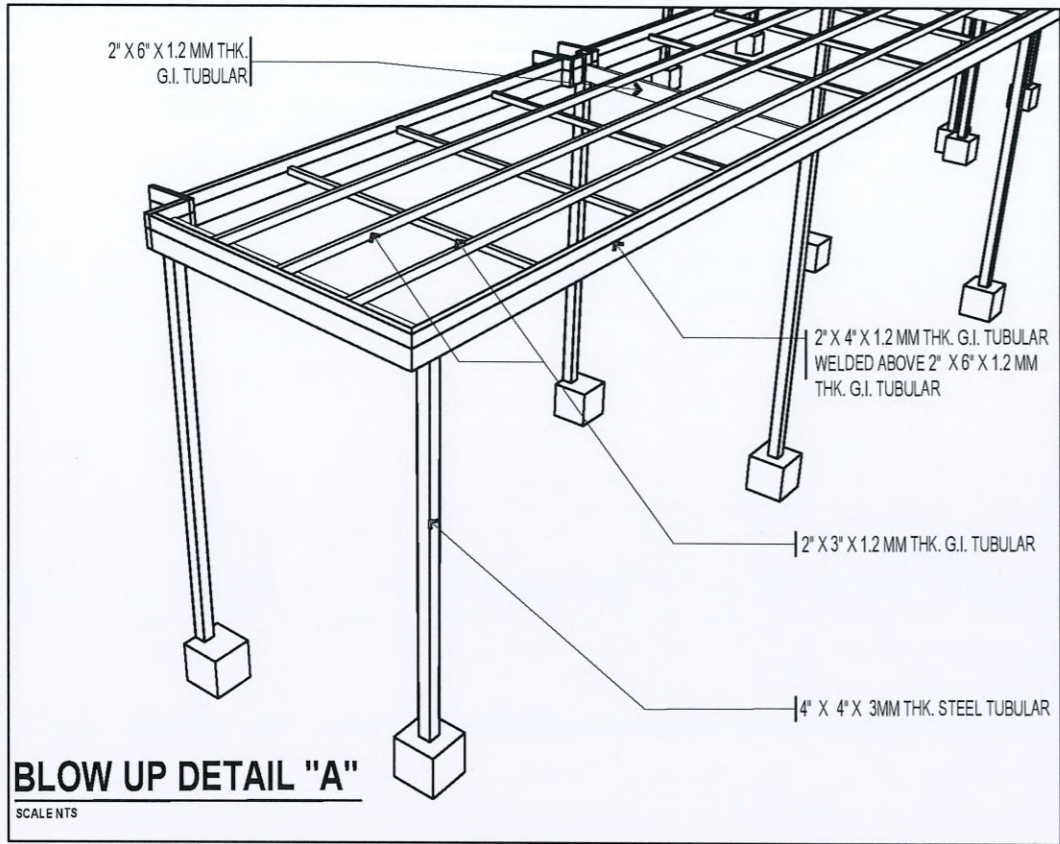
SCALE 1:30 MTS.



**TARLAC STATE UNIVERSITY**  
Facilities Development and Management Office  
Romulo Boulevard, Tarlac City, Philippines 2300

PROJECT TITLE: REFURBISHMENT OF COLLEGE OF ENGINEERING STUDENT CENTER	PREPARED BY: ENGR. DAVE B. MENDOZA CIVIL ENGINEER, OFDM-MIU	CHECKED BY: AR. CHERRY L. FABIANES HEAD, OFDM-PDU	CERTIFIED BY: AR. ARLEN M. GUIEB DIRECTOR, OFDM	REQUESTING OFFICE: ENGR. MIRIAM S. GALVEZ DEAN, COE	RECOMMENDING APPROVAL: ATTY. WILMARK J. RAMOS, DBA VP FOR ADMINISTRATION	APPROVED: DR. ARNOLD E. VELASCO PRESIDENT	SHEET CONTENTS: AS SHOWN	SHEET NO.: S-8
PROJECT LOCATION: MAIN CAMPUS, TARLAC STATE UNIVERSITY							DATE: DECEMBER 2024	PAGE NO.: 25/32

NOTE :  
ALL STEEL STRUCTURE SHALL BE PAINTED WITH 2 COATS BLACK ENAMEL PAINT.



**TARLAC STATE UNIVERSITY**  
Facilities Development and  
Management Office  
Romulo Boulevard, Tarlac City, Philippines 2300

PROJECT TITLE:  
REFURBISHMENT OF COLLEGE OF ENGINEERING  
STUDENT CENTER  
PROJECT LOCATION:  
MAIN CAMPUS, TARLAC STATE UNIVERSITY

PREPARED BY:  
ENGR. DAVE B. MENDOZA  
CIVIL ENGINEER, OFDM-MIU

CHECKED BY:  
AR. CHERRY L. FABIANES  
HEAD, OFDM-PDU

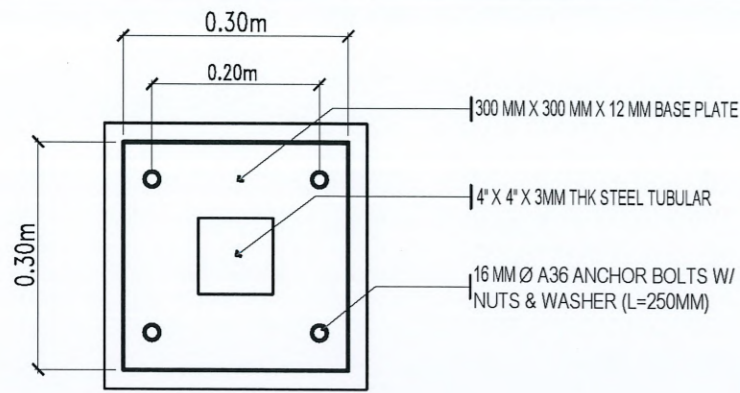
CERTIFIED BY:  
AR. ARLEN M. GUIEB  
DIRECTOR, OFDM

REQUESTING OFFICE:  
ENGR. MIRIAM S. GALVEZ  
DEAN, CBE

RECOMMENDING APPROVAL:  
ATTY. WILMARK J. RAMOS, DBA  
VP FOR ADMINISTRATION

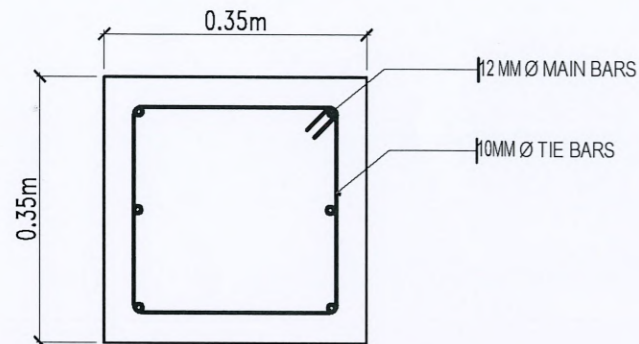
APPROVED:  
DR. ARNOLD E. VELASCO  
PRESIDENT

SHEET CONTENTS:  
AS SHOWN  
DATE: DECEMBER 2024  
SHEET NO.:  
S-9  
PAGE NO.:  
26/32



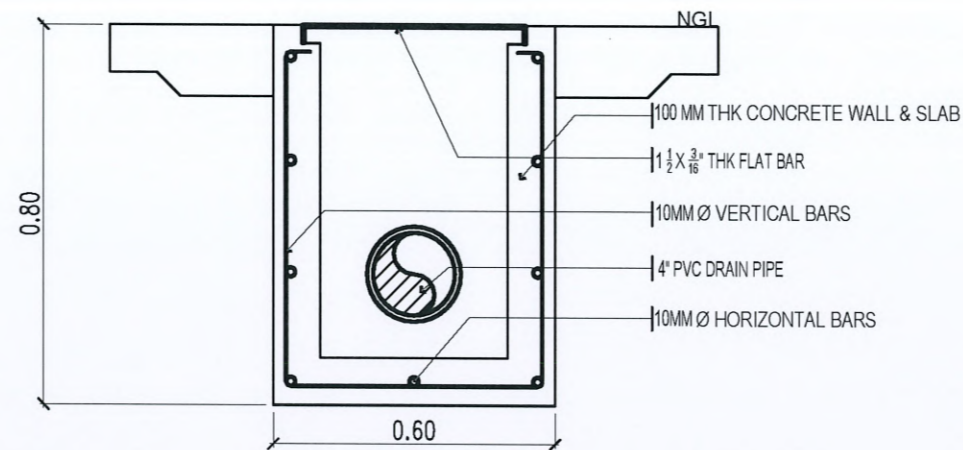
**BASE PLATE DETAIL**

SCALE 1:10 MTS.



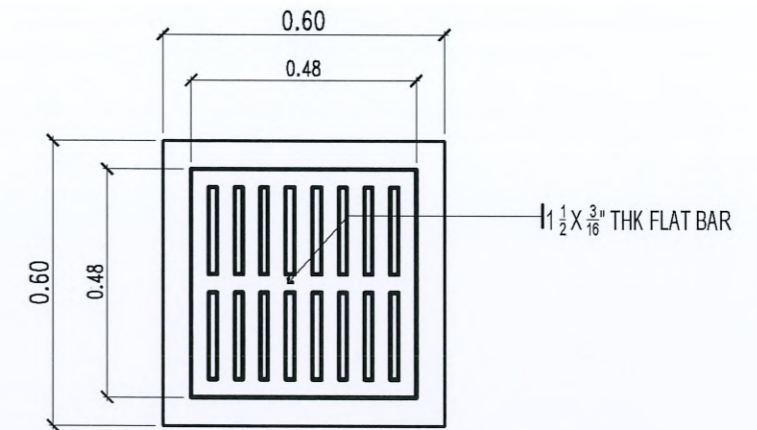
**COLUMN PEDESTAL DETAIL**

SCALE 1:10 MTS.



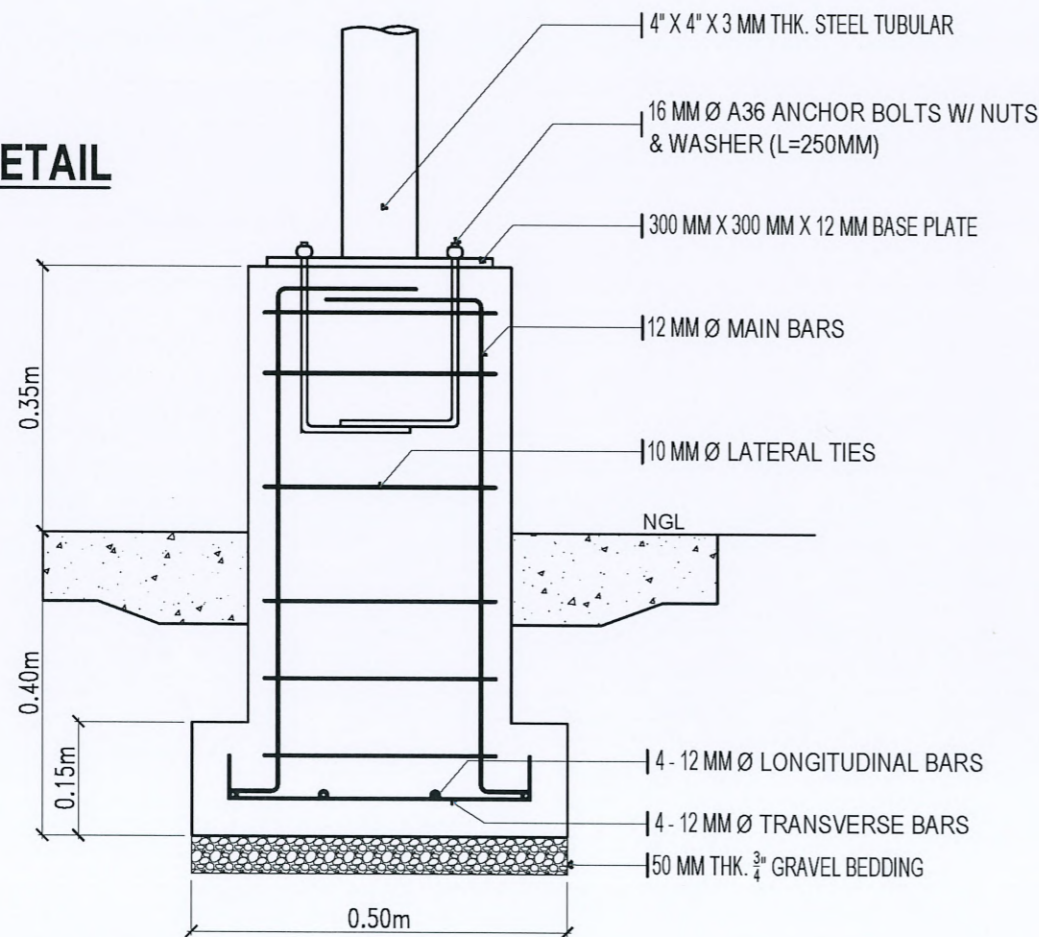
**CATCH BASIN DETAIL**

SCALE 1:10 MTS.



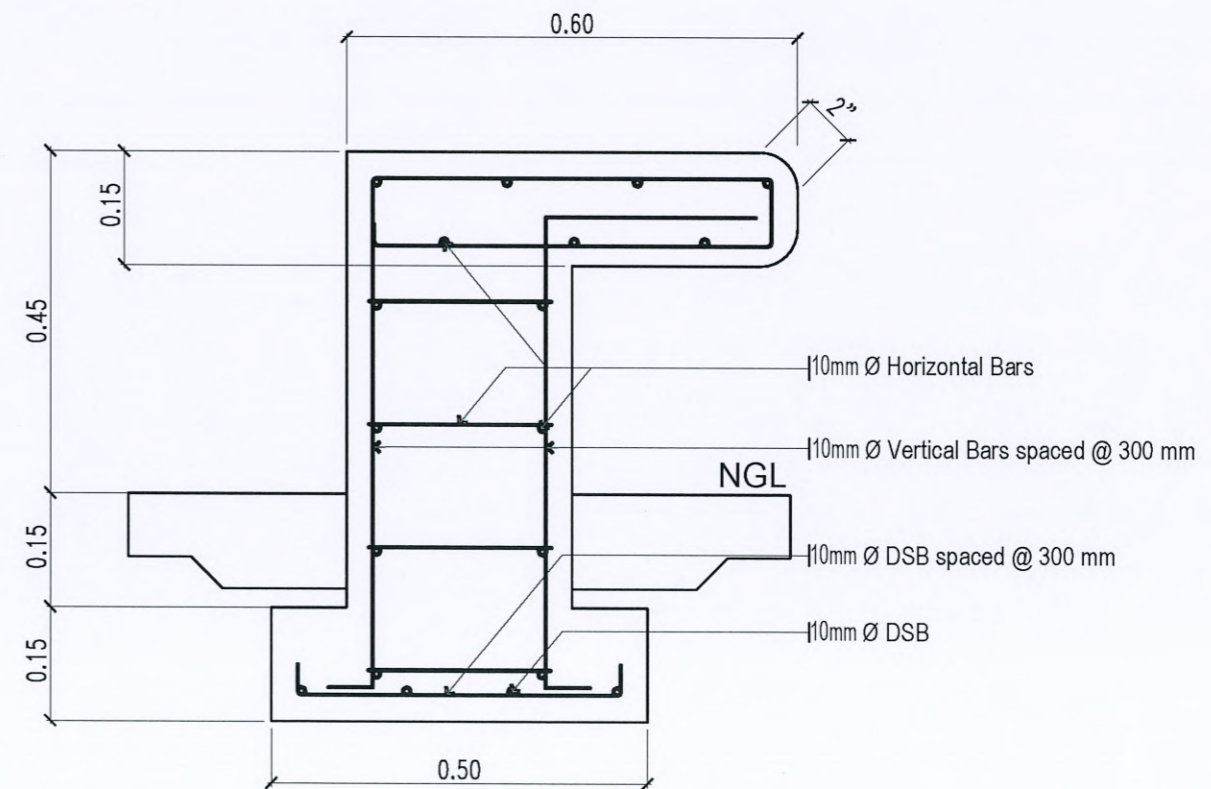
**CATCH BASIN COVER DETAIL**

SCALE 1:10 MTS.



**COLUMN PEDESTAL FOUNDATION**

SCALE 1:10 MTS.



**CONCRETE BENCH DETAIL**

SCALE 1:10 MTS.

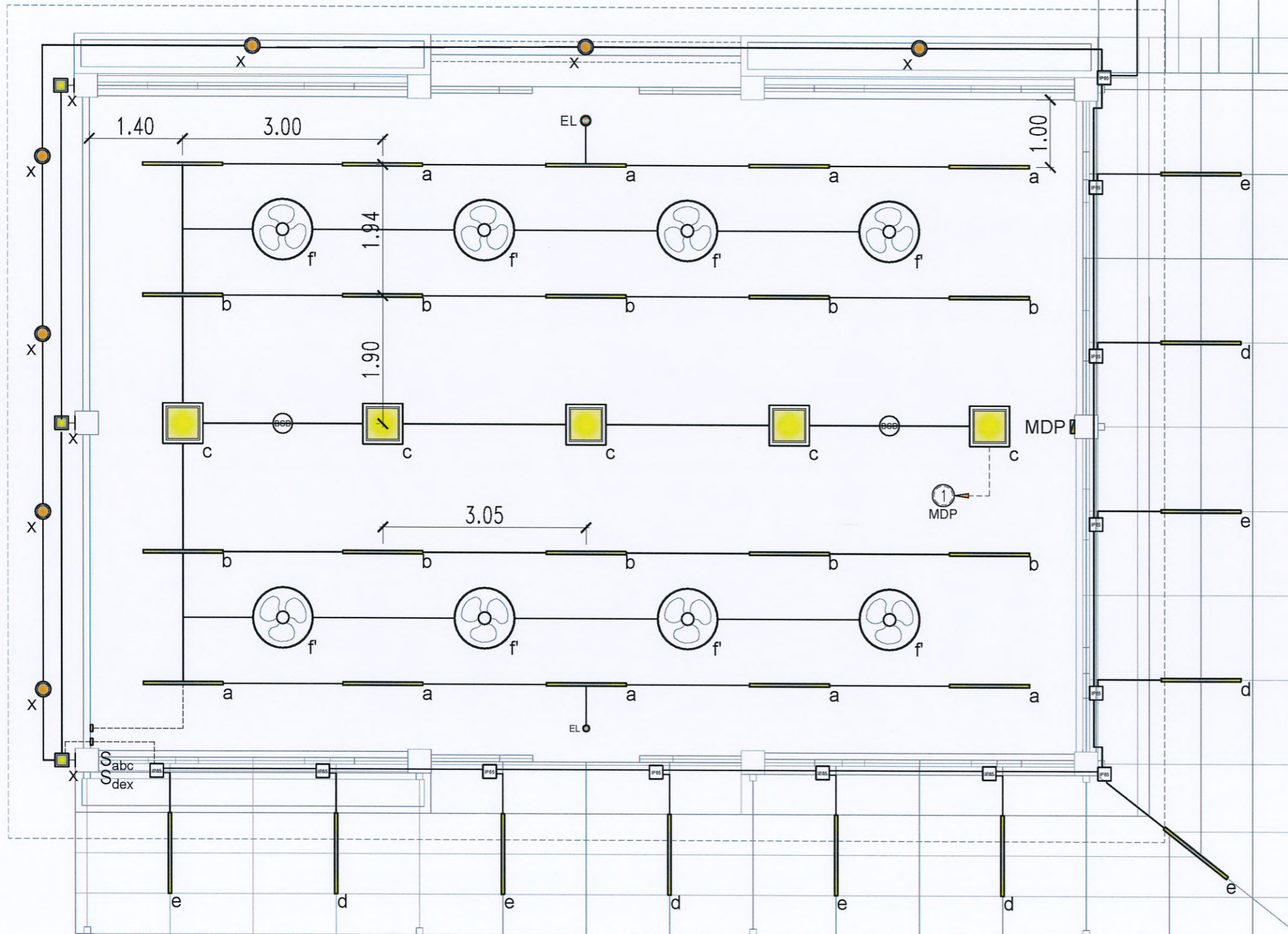


**TARLAC STATE UNIVERSITY**  
Facilities Development and  
Management Office  
Romulo Boulevard, Tarlac City, Philippines 2300

PROJECT TITLE: REFURBISHMENT OF COLLEGE OF ENGINEERING STUDENT CENTER	PREPARED BY:  ENGR. DAVE B. MENDOZA CIVIL ENGINEER, OFDM-MJU	CHECKED BY:  AR. CHERRY L. FABIANES HEAD, OFDM-PDU	CERTIFIED BY:  AR. ARLEN M. GUIEB DIRECTOR, OFDM	REQUESTING OFFICE:  ENGR. MIRIAM S. GALVEZ DEAN, COE	RECOMMENDING APPROVAL:  ATTY. WILMARK J. RAMOS, DBA VP FOR ADMINISTRATION	APPROVED:  DR. ARNOLD E. VELASCO PRESIDENT	SHEET CONTENTS: AS SHOWN	SHEET NO: S-10 PAGE NO: 27/32
PROJECT LOCATION: MAIN CAMPUS, TARLAC STATE UNIVERSITY	DATE: DECEMBER 2024							

# PROPOSED LIGHTING LAYOUT

SCALE 1:70 MTS.



## GENERAL NOTES AND SPECIFICATIONS

- ALL ELECTRICAL INSTALLATION HEREIN SHALL BE DONE IN ACCORDANCE WITH PROVISIONS OF THE LATEST EDITION OF PHILIPPINE ELECTRICAL CODE WITH THE RULES AND REGULATIONS OF THE NATIONAL AND LOCAL AUTHORITIES CONCERNED IN THE ENFORCEMENT OF ELECTRICAL LAWS AND ORDINANCES AND WITH THE REQUIREMENTS OF THE POWER COMPANY CONCERNED.
- ALL ELECTRICAL WORKS HEREIN SHALL BE EXECUTED BY EXPERIENCED MEN UNDER THE SUPERVISION OF A DULY LICENSED REGISTERED ELECTRICAL ENGINEER OR PROFESSIONAL ELECTRICAL ENGINEER.
- MATERIALS THAT PROVIDES SUPPORT, ADDED SAFETY, AND ACCESS, SUCH AS PULL BOXES, JUNCTION BOXES, BENDS AND OTHER FITTINGS SHALL BE PROVIDED EVEN IF NOT EXPLICITLY STATED IN THE PLAN.
- INSTALLATION OF NEW CONDUITS AND ELECTRICAL WIRES FOR THE FOLLOWING ROOMS COVERED BY REFURBISHMENT SHALL BE CONNECTED TO EXISTING LINES WITH 230V, SINGLE PHASE, 2-WIRE + GROUND, 60 HZ SUPPLY.
- WIRES SHALL BE COLOR CODED AS FOLLOWS:  
LINE 1 --- RED      LINE 2 --- YELLOW      GROUND --- GREEN
- WIRING METHOD SHALL BE AS FOLLOWS:  
a. FOR EMBEDDED PIPE      -POLYVINYL CHLORIDE CONDUIT SCHEDULE 40 (PVC SCH 40)  
b. FOR RUN EXPOSED PIPE      -RIGID STEEL CONDUIT (RSC)
- ALL MATERIALS TO BE USED SHALL BE BRAND NEW AND APPROVED TYPE FOR THE PARTICULAR LOCATION AND PURPOSE OF USAGE.
- ALL WIRES SHALL BE COPPER AND THERMOPLASTIC INSULATED TYPE "THHN" UNLESS OTHERWISE INDICATED IN THE PLAN. THE MINIMUM SIZE OF WIRE FOR POWER AND LIGHTING CIRCUIT SHALL BE 3.5mm.
- GROUNDING SYSTEM SHALL BE PROVIDED TO ALL EQUIPMENT PANEL BOARD AND NON-CURRENT CARRYING METAL IN ACCORDANCE WITH THE PHILIPPINE ELECTRICAL CODE REQUIREMENT.
- MOUNTING HEIGHTS SHALL BE AS FOLLOWS:  
a. LIGHTING SWITCHES      -1.40m ABOVE THE FINISHED FLOOR  
b. CONVENIENCE OUTLET      -0.30m ABOVE THE FINISHED FLOOR  
c. PANEL BOARD      -1.80m ABOVE THE FINISHED FLOOR  
d. AIR-CONDITIONER CONVENIENCE OUTLET      -AT CONVENIENT HEIGHT NEAR EQUIPMENT
- ANY DISCREPANCY IN LOCATION AND RATING OF ELECTRICAL EQUIPMENT SHALL BE VERIFIED WITH THE OWNER AND CHANGES SHALL BE MADE ACCORDINGLY.
- ALL EXPOSED PVC CONDUITS AS SHOWN IN THE PERSPECTIVE SHALL BE PAINTED THAT MATCHES THE COLOR OF THE ROOF FRAMING.

## ELECTRICAL LEGEND

S <sub>abc</sub>	Three-gang one way Switch
[Square symbol]	42 Watts large square LED panel light [Color: Daylight]
[Line symbol]	36 Watts surface mounted LED linear light [Color: Daylight]
[Circle symbol]	12 Watts round surface mounted LED panel light [Color: Warm White]
[Circle with dot symbol]	3 Watts Recessed LED emergency light [Ceiling Mounted]
[Square with dot symbol]	5 Watts IP67 wall lamp [Color: Daylight]
[Circle with cross symbol]	Battery-operated smoke detector
[Square with cross symbol]	IP65 weatherproof PVC junction box
[Circle with plus symbol]	Branch circuit homerun
[Circle with dot and line symbol]	Duplex universal convenience outlet
[Square with MDP symbol]	Main distribution panel board
[Square with ACCU symbol]	Enclosed circuit breaker for ACCU
[Square with FSA symbol]	Floor standing air-conditioning unit
[Circle with fan symbol]	36-inch remote controlled DC ceiling fan with LED



**TARLAC STATE UNIVERSITY**  
Facilities Development and  
Management Office  
Romulo Boulevard, Tarlac City, Philippines 2300

PROJECT TITLE:  
REFURBISHMENT OF COLLEGE OF ENGINEERING  
STUDENT CENTER  
PROJECT LOCATION:  
MAIN CAMPUS, TARLAC STATE UNIVERSITY

PREPARED BY:  
  
ENGR. ROVINSON F. FRIAS, RME  
ELECTRICAL ENGINEER, OFDM-MIU

CHECKED BY:  
  
AR. CHERRY L. FABIANES  
HEAD, OFDM-PDU

CERTIFIED BY:  
  
ENGR. ARLEN M. GUIAB  
DIRECTOR, OFDM

REQUESTING OFFICE:  
  
ENGR. MIRIAM S. GALVEZ  
DEAN, OOE

RECOMMENDING APPROVAL:  
  
ATTY. WILMARK J. RAMOS, DBA  
VP FOR ADMINISTRATION

APPROVED:  
  
DR. ARNOLD E. VELASCO  
PRESIDENT

SHEET CONTENTS:  
AS SHOWN  
DATE: DECEMBER 2024

SHEET NO:  
E-01  
PAGE NO:  
28/32

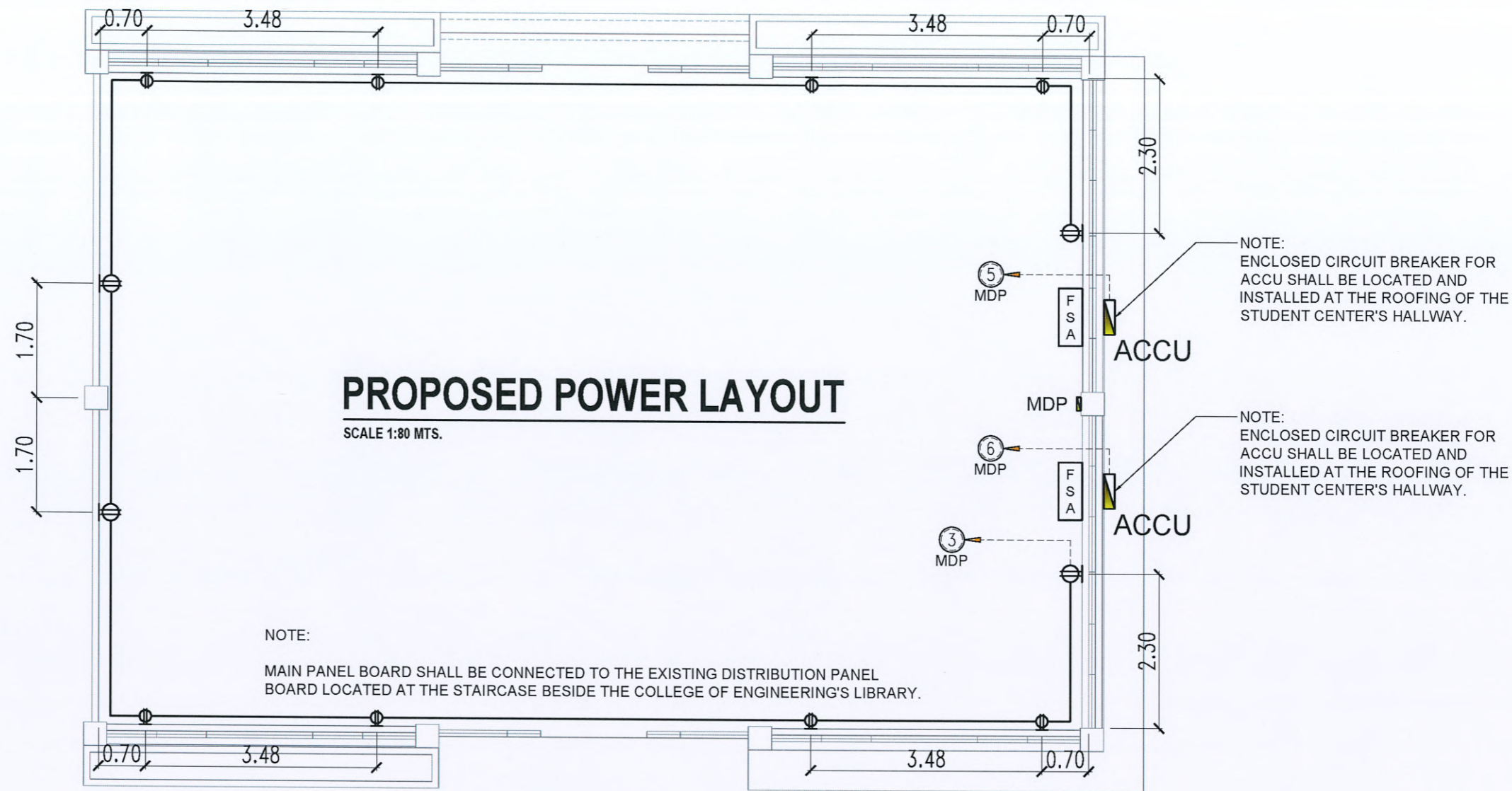


## HALLWAY LIGHTING PLAN PERSPECTIVE



**TARLAC STATE UNIVERSITY**  
 Facilities Development and  
 Management Office  
 Romulo Boulevard, Tarlac City, Philippines 2300

<small>PROJECT TITLE:</small>	REFURBISHMENT OF COLLEGE OF ENGINEERING STUDENT CENTER	<small>PREPARED BY:</small>	<small>CHECKED BY:</small>	<small>CERTIFIED BY:</small>	<small>REQUESTING OFFICE:</small>	<small>RECOMMENDING APPROVAL:</small>	<small>APPROVED:</small>	<small>SHEET CONTENTS:</small>	<small>SHEET NO.:</small>
								AS SHOWN	E-02
<small>PROJECT LOCATION:</small>	MAIN CAMPUS, TARLAC STATE UNIVERSITY	<small>ENGR. ROVINSON F. FRIAS, RME ELECTRICAL ENGINEER, OFDM-MIU</small>	<small>AR. CHERRY L. FABIANES HEAD, OFDM-PDU</small>	<small>AR. ARLEN M. GUIEB DIRECTOR, OFDM</small>	<small>ENGR. MIRIAM S. GALVEZ DEAN, BOE</small>	<small>ATTY. WILMARK J. RAMOS, DBA VP FOR ADMINISTRATION</small>	<small>DR. ARNOLD E. VELASCO PRESIDENT</small>	DATE: DECEMBER 2024	PAGE NO: 29/32



## SCHEDULE OF LOADS

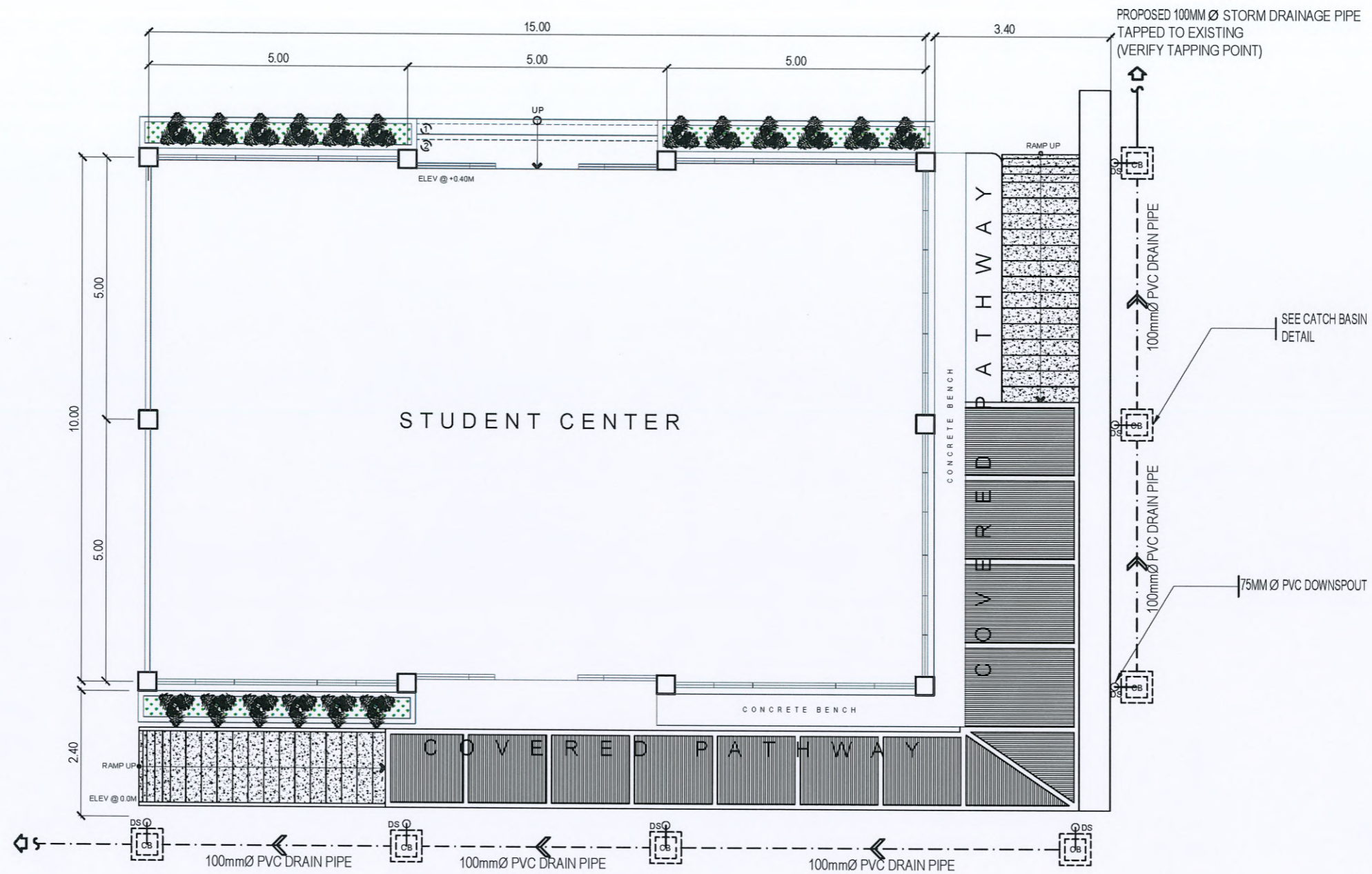
NTS

PANEL BOARD		STUDENT CENTER MDP			LOCATION				STUDENT CENTER		
FROM		TO BE VERIFIED			SYSTEM VOLTAGE				1φ, 2 Wire + Ground, 230V		
CIRCUIT NUMBER	DESCRIPTION	NO. OF OUTLET	VA	A	CIRCUIT BREAKER			CONDUCTOR	TYPE OF WIRE	GROUND	CONDUIT
					AT	AF	POLE				
1	LIGHTING OUTLET	25	1170	5.09	20	50	2	2 - 3.5 mm <sup>2</sup>	THHN/THWN	1 - 3.5 mm <sup>2</sup>	1/2" φ PVC
2	LIGHTING OUTLET	25	732	3.18	20	50	2	2 - 3.5 mm <sup>2</sup>	THHN/THWN	1 - 3.5 mm <sup>2</sup>	1/2" φ PVC
3	CONVENIENCE OUTLET	12	2160	9.39	20	50	2	2 - 3.5 mm <sup>2</sup>	THHN/THWN	1 - 3.5 mm <sup>2</sup>	1/2" φ PVC
4	SPARE	1	1000	4.35	20	50	2	-	-	-	1/2" φ PVC
5	PROVISION FOR 3.0 TR ACU	1	3580	15.57	40	50	2	2 - 8.0 mm <sup>2</sup>	THHN/THWN	1 - 5.5 mm <sup>2</sup>	3/4" φ PVC
6	PROVISION FOR 3.0 TR ACU	1	3580	15.57	40	50	2	2 - 8.0 mm <sup>2</sup>	THHN/THWN	1 - 5.5 mm <sup>2</sup>	3/4" φ PVC
<b>COMPUTATION</b>											
TOTAL LOAD CURRENT (A)		53.14			60 AT	100 AF	2 Pole	2 - 14 mm <sup>2</sup>	THHN/THWN	1 - 8.0 mm <sup>2</sup>	1 1/4" φ PVC
DEMAND FACTOR APPLICATION		80%			Voltage (V)		230	MAIN CB KAIC RATING		10 KAIC	
DEMAND LOAD CURRENT (A)		45.62			LARGEST MOTOR LOAD		15.57	BRANCH CB KAIC RATING		5 KAIC	
ENCLOSURE TYPE		MCCB DISTRIBUTION BOX			MOUNTING TYPE			WALL MOUNTED			



**TARLAC STATE UNIVERSITY**  
Facilities Development and Management Office  
Romulo Boulevard, Tarlac City, Philippines 2300

PROJECT TITLE: REFURBISHMENT OF COLLEGE OF ENGINEERING STUDENT CENTER	PREPARED BY:  ENGR. ROVINSON P. FRIAS, RME ELECTRICAL ENGINEER, OFDM-MIU	CHECKED BY:  AR. CHERRY L. FABIANES HEAD, OFDM-PDU	CERTIFIED BY:  AR. ARLEN M. GUIEB DIRECTOR, OFDM	REQUESTING OFFICE:  ENGR. MIRIAM S. GALVEZ DEAN, COE	RECOMMENDING APPROVAL:  ATTY. WILMARK J. RAMOS, DBA VP FOR ADMINISTRATION	APPROVED:  DR. ARNOLD E. VELASCO PRESIDENT	SHEET CONTENTS: AS SHOWN	SHEET NO: E-03
PROJECT LOCATION: MAIN CAMPUS, TARLAC STATE UNIVERSITY							DATE: DECEMBER 2024	PAGE NO: 30/32



# STORM DRAINAGE LAYOUT

SCALE 1:100 MTS.

LEGEND	
	100mmØ PVC DRAIN PIPE S1000
	75mmØ PVC S1000
RD	ROOF DRAIN
DS	DOWNSPOUT
CB	CATCH BASIN


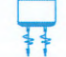


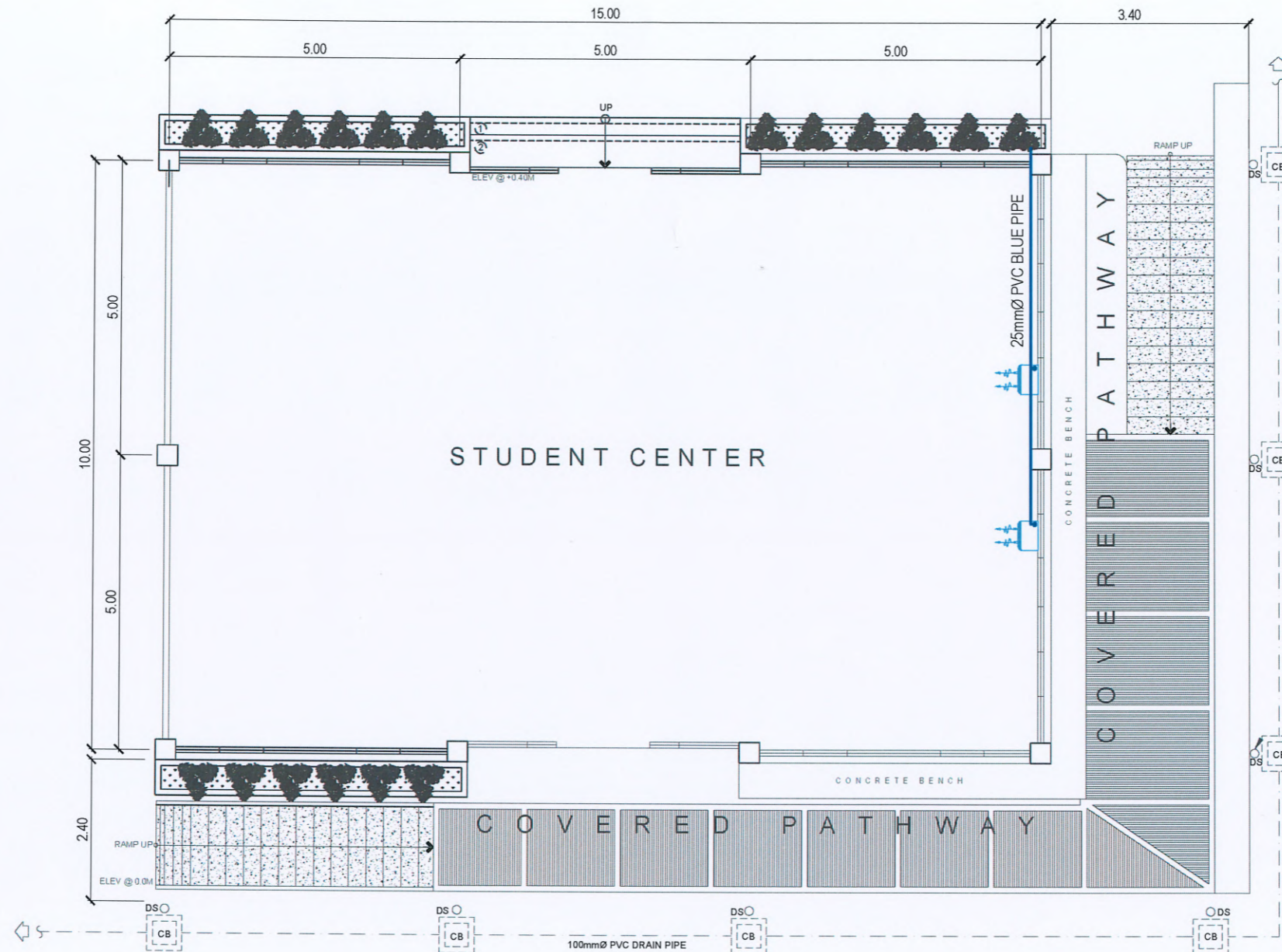
**TARLAC STATE UNIVERSITY**  
Facilities Development and  
Management Office  
Romulo Boulevard, Tarlac City, Philippines 2300

PROJECT TITLE: REFURBISHMENT OF COLLEGE OF ENGINEERING STUDENT CENTER	PREPARED BY:  AR. PAUL A. DOCTOR, RMP ARCHITECT/RMP/OFDM-PDU	CHECKED BY:  AR. CHERRY L. FABIANES HEAD, OFDM-PDU	CERTIFIED BY:  AR. ARLEN M. GUIEB DIRECTOR, OFDM	REQUESTING OFFICE:  ENGR. MIRIAM S. GALVEZ DEAN, COE	RECOMMENDING APPROVAL:  ATTY. WILMARK J. RAMOS, DBA VP FOR ADMINISTRATION	APPROVED:  DR. ARNOLD E. VELASCO PRESIDENT	SHEET CONTENTS: AS SHOWN	SHEET NO: P-1
PROJECT LOCATION: MAIN CAMPUS, TARLAC STATE UNIVERSITY							DATE: DECEMBER 2024	PAGE NO: 31/32

NOTE:

CONDENSATE DRAIN PIPES FOR AIR CONDITIONING UNITS SHALL BE MADE OF 25mm (1") Ø PVC (BLUE) AND ALL HORIZONTAL DRAIN SHALL MAINTAIN 2% SLOPE AND MUST BE CONCEALED ON THE FLOOR/WALL.

LEGEND	
	25MM Ø PVC BLUE PIPE
	FLOOR MOUNTED AIR CONDITIONING UNIT

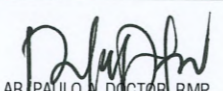
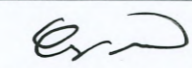
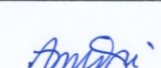
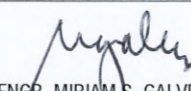
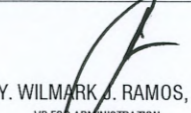
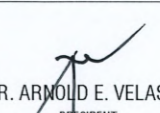


## CONDENSATE DRAINPIPE LAYOUT

SCALE 1:100 MTS.



**TARLAC STATE UNIVERSITY**  
Facilities Development and  
Management Office  
Romulo Boulevard, Tarlac City, Philippines 2300

PROJECT TITLE: REFURBISHMENT OF COLLEGE OF ENGINEERING STUDENT CENTER	PREPARED BY:  AR. PAULO N. DOCTOR, RMP ARCHITECT, RMP, OFDM-PDU	CHECKED BY:  AR. CHERRY L. FABIANES HEAD, OFDM-PDU	CERTIFIED BY:  AR. ARLEN M. GUIEB DIRECTOR, OFDM	REQUESTING OFFICE:  ENGR. MIRIAM S. GALVEZ DEAN, COE	RECOMMENDING APPROVAL:  ATTY. WILMARK J. RAMOS, DBA VP FOR ADMINISTRATION	APPROVED:  DR. ARNOLD E. VELASCO PRESIDENT	SHEET CONTENTS: AS SHOWN	SHEET NO: P-2 PAGE NO: 32/32
PROJECT LOCATION: MAIN CAMPUS, TARLAC STATE UNIVERSITY							DATE: DECEMBER 2024	